

Halton ULC

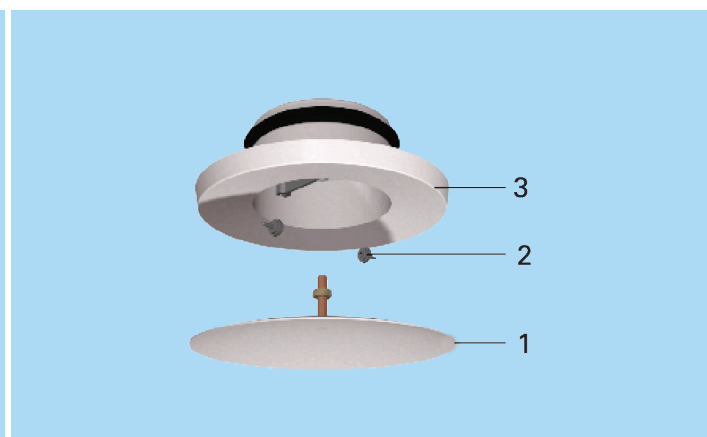
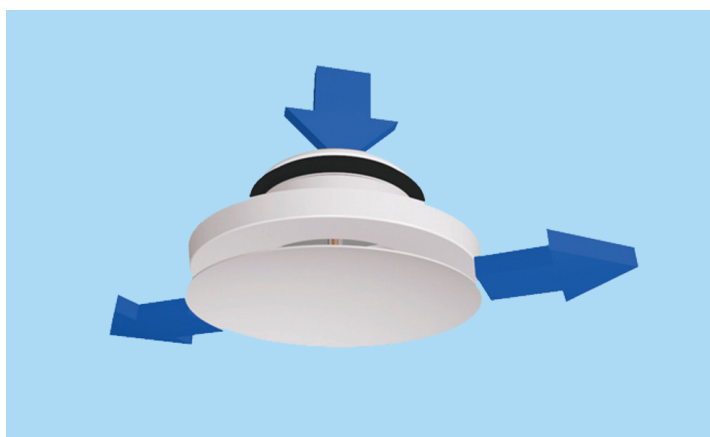
Supply air valve for ceiling installation



- Supply air valve for ceiling installation with adjustable operations
- Flow pattern selection and pressure loss adjustment by front plate
- Airflow rate measurement and adjustment facility
- Detachable front plate

MATERIAL AND FINISHING

PART	MATERIAL	NOTE
Collar	Steel	
Front plate	Steel	
Fixing bar	Aluminium	
Gasket	Rubber compound	
Finishing	Painted White RAL 9010	Special colour available



Function

The supply air flow (radial jet) is directed as required by angling the front plate. The throw length and pressure drop are adjusted by turning the front plate open or closed.

Servicing

CODE DESCRIPTION

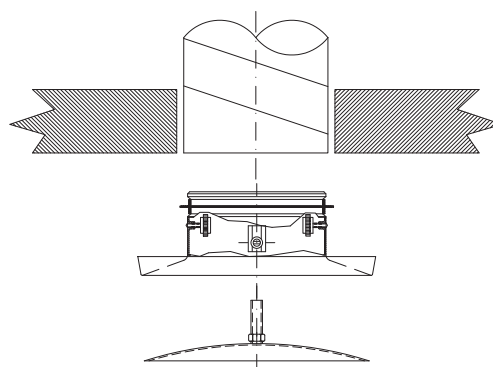
1	Front plate
2	Fixing screw
3	Collar

For cleaning check first the adjustment position and detach the front panel from the collar. Remove the collar by loosening the fixing screws and clean the components with damp cloth. They must not be immersed in water.

Reassembly the valve in reverse order.

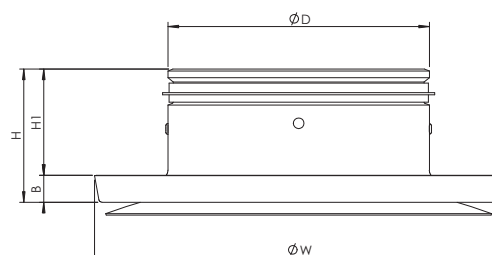
Installation

ULC is installed into the duct with finger screws from inside the valve. The front plate is mounted and the correct adjustment position selected. When the adjustment has been made, lock the front plate.



DIMENSIONS

NS	ØD	ØW	H	H1	B
100	96	165	63	49	14
125	123	192	63	49	14



Adjustment

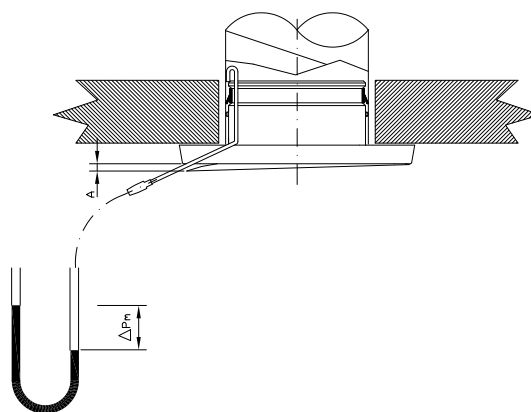
Adjustment position (A) is determined by angling the front plate. The volume flow rate is determined by setting a probe inside the device and reading the pressure difference between the probe and room.

The airflow rate is calculated with the formula.

$$q_v = k * \sqrt{\Delta p_m}$$

ULC-100		ULC-125	
A	k	A	k
3	0,75	4	1,34
4	1,11	6	1,98
5	1,56	8	2,71
6	1,90	10	3,40
8	2,32	12	4,01
10	2,77	14	4,43
11	3,16	16	4,69
12	3,53	18	5,01
13	3,88	20	5,49

When the adjustment has been made, lock the front panel. Finally direct the suitable flow pattern.



Suggested specification

ULE supply air valve shall have a detachable front plate and collar made of painted steel with a white (RAL 9010) standard colour.

The collar shall have a screw fastening and incorporate a sealing gasket.

Supply airflow rate and throw length shall be adjusted by turning the adjustment screw in the front plate.

Pressure loss shall be selected at the same time as the flow pattern adjustment and balancing.

Product code

ULE-D

D = Connection size
100, 125

Specific

CO = Colour
W White (RAL 9010)
X Special colour

Code example

ULE-100, CO=W