

Halton ULE

Supply air valve for wall installation



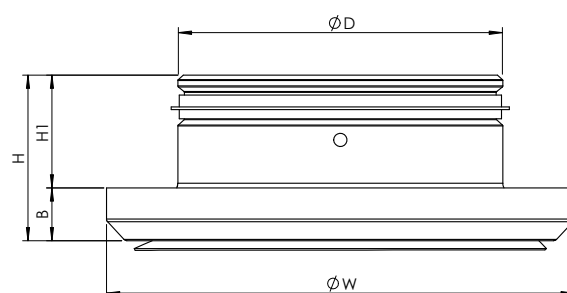
- Supply air valve for wall installation with adjustable operations
- Flow pattern selection and pressure loss adjustment by front plate
- Airflow rate measurement and adjustment facility
- Detachable front plate

MATERIAL AND FINISHING

PART	MATERIAL	NOTE
Collar	Steel	
Front plate	Steel	
Gasket	Rubber compound	
Finishing	Painted White RAL 9010	Special colour available

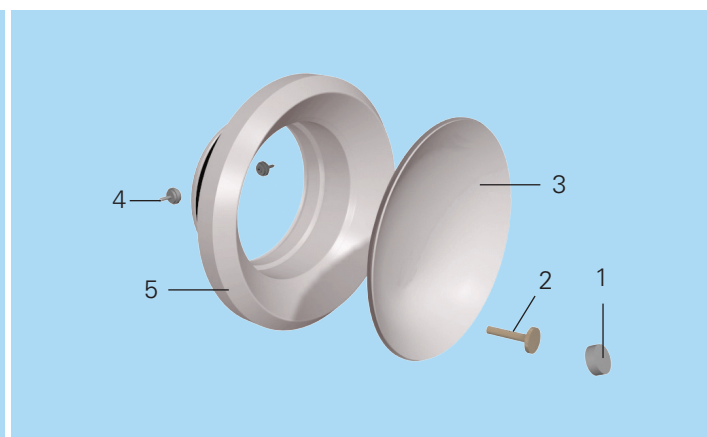
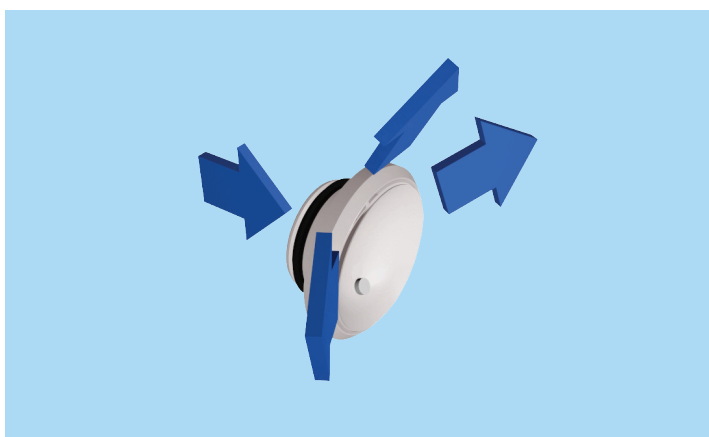
DIMENSIONS

NS	ØD	ØW	H	H1	B
100	96	150	63	42	21
125	123	177	63	42	21



ULE - Supply air valve for wall installation

Halton



Function

The supply air flow is directed slightly towards the ceiling. The throw length is adjusted by turning the adjustment screw open or closed.

Servicing

CODE DESCRIPTION

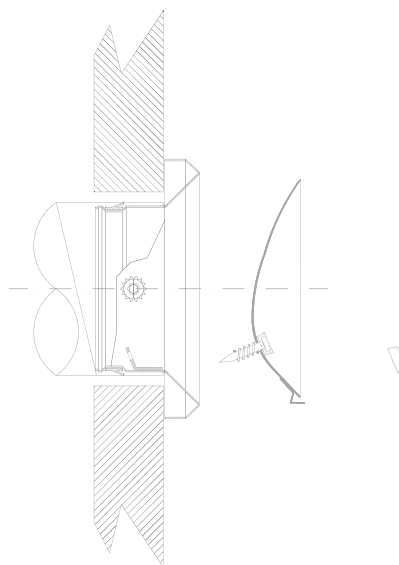
1	Cover plug
2	Adjustment screw
3	Front plate
4	Fixing screw
5	Collar

For cleaning check first the adjustment position and remove the plastic plug and detach the front plate from the collar by opening the adjustment screw. Remove the collar by loosening the fixing screws and clean the components with damp cloth. They must not be immersed in water.

Reassemble the valve in reverse order.

Installation

ULE is installed to the duct with finger screws from inside the valve. The front plate is mounted and the correct adjustment position selected. A plastic plug is fitted to cover the adjustment screw.



Adjustment

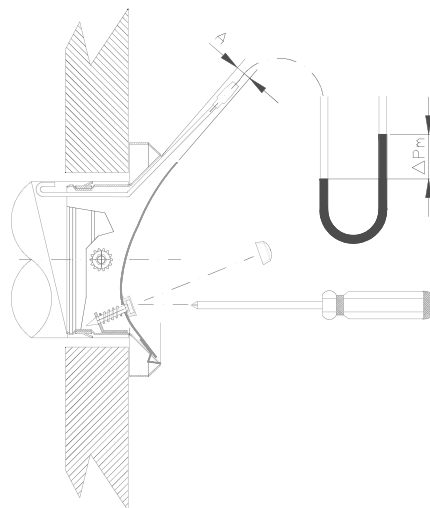
Front plate position (A) is set with an adjustment screw. The volume flow rate is determined by setting a probe inside the device and reading the pressure difference between the probe and room.

The airflow rate is calculated with the formula.

$$q_v = k * \sqrt{\Delta p_m}$$

ULE-100		ULE-125	
A	k	A	k
3	0,80	4	1,11
4	1,05	6	1,63
5	1,30	8	2,21
6	1,49	10	2,77
7	1,74	12	3,33
8	1,98	14	3,92
10	2,48	16	4,42
12	2,96	18	4,86
15	3,50	20	5,75

When the adjustment has been made, cover the screw with the plastic plug.



Suggested specification

ULC supply air valve shall have a detachable front plate and collar made of painted steel with a white (RAL 9010) standard colour.

The collar shall have a screw fastening and incorporate a sealing gasket.

Supply airflow shall be directed by angling the front plate. Throw length shall be adjusted by rotating the front plate. Pressure loss shall be selected at the same time as the throw length adjustment and balancing.

Product code

ULC-D

D = Connection size
100, 125

Specific

CO = Colour
W White (RAL 9010)
X Special colour

Code example

ULC-100, CO=W