

HDWCK+1 Double Wall Grease Duct

Double Wall Commercial Kitchen Exhaust



Application

Stainless steel duct for connecting cooking appliances and kitchen hoods to the outdoors under negative or positive pressure.

Design eliminates welding, second insulation trade, and lengthy inspections in the field, provides UL/ULC Listed and Certified exhaust solutions.

Purpose

- Factory built eliminates welding and field applied insulation in the field.
- Easiest and Fastest joint assembly on the market using innovative and industry first technology. No V bands means faster and easier installations.
- Due to the unique joint design, every pipe length can be cut-to-fit in the field – it is possible to do any project using only 48” long pipe lengths! We do offer Cut Lengths with a clamshell outer jacket to make it easy on installers.
- Quick and easy inspections.

Features & Benefits

- Only 1/16 inch per foot slope is required
- Factory CAD designs for installation ease
- All lengths are field cuttable for maximum flexibility
- 100% stainless steel with Limited Lifetime Warranty
- Smooth flow and known resistance for perfected factory pressure calculations

UL Listings (and ULC)

- UL-1978 Standard, Grease Duct (ULC-S662 Standard for Factory-Built Grease Ducts)
- UL-103 Standard, Building Heating Appliance Chimney (ULC/ORD-C959 Industrial Type 540°C Chimney)
- UL-103 Standard, Additional Type HT Listing
- UL-2561 Standard, 1400°F Chimney Listing (ULC/ORD-C959 Industrial Type 760°C Chimney)
- Additional UL/ULC 20” W.C. Pressure Listing



HDWCK+1 Grease Duct

Double Wall Commercial Kitchen Exhaust

Product Specification

Connection / Installation Details

2.2" overlapping joint with Patent-Pending light weight technology and a double female socket permitting fastest alignment/installation on the market:

1. Use supplied silicone sealant to make the complete seal
2. Push the male/female ends together
3. Install the locking band to assure correct engagement

Materials

- Made of all stainless steel (both inner and outer jacket), thickness per UL-1978 Listing
- 1.5" thick ceramic fiber insulation compressed into a 1.25" thick space
- All supports and accessories are stainless steel

Smart Fittings & Accessories

Besides the smart cut-to-fit technology, Halton uses smart fittings and accessories specifically designed for Grease Ducts; 87-degree elbow with built in access panel, 45-degree elbow with built in access panel, common wye with reduction branches, and no-weld hood connections.

Diameters:

6, 7, 8, 9, 10, 11, 12, 13, 14, 16, 18, 20, 22, 24, 26, 28, 30, 32, 34, & 36 (use DWFL+1 for diameters 38" through 48")

Available Lengths:

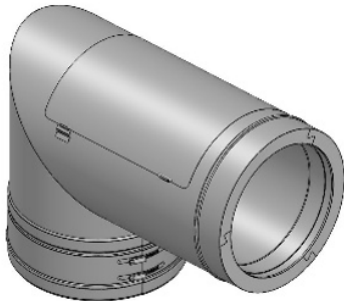
9", 12", 18", 24", 30", 36", 42", & 48" (or any fixed length between)

Available Fittings:

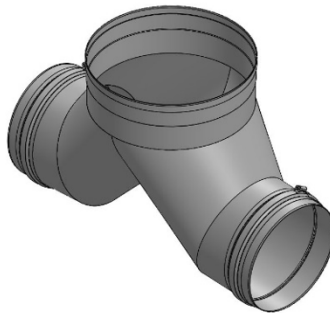
Any elbow or tee, over 80 catalog fittings per each diameter

Available Accessories:

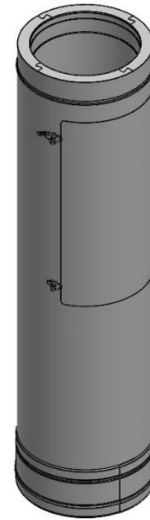
All-stainless supports, guides, hangers, adapters – over 25 accessories per each diameter



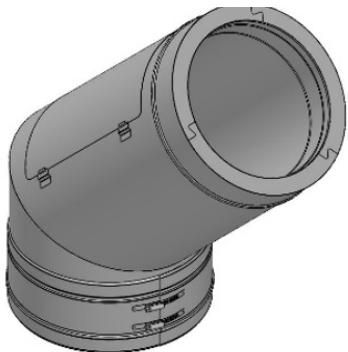
87-Degree Elbow with Access



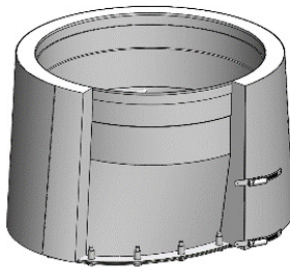
Increasing Bull Head Tee



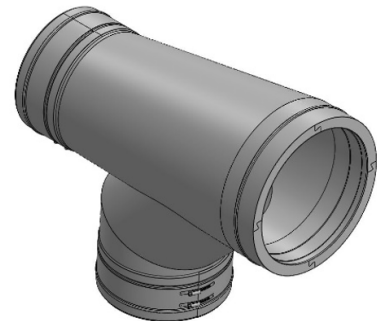
In Line Access Length



45-Degree Elbow with Access



No-Weld Hood Adapter



Increasing Boot Tee

The company has a policy of continuous product development, therefore we reserve the right to modify design and specifications without notice.

For more information, please contact your nearest Halton agency. To find it: www.halton.com