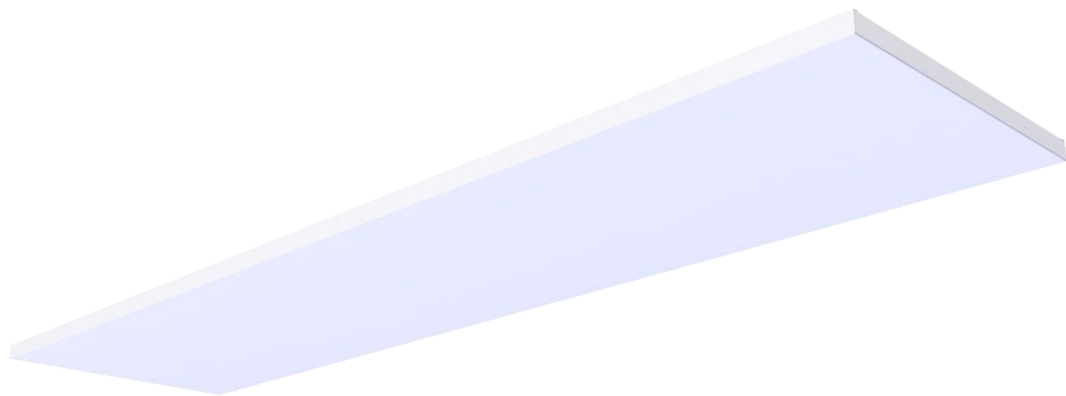


# Radiant Panel Installation Guide for Halton Ava Individual (AIN)



Declaration of Performance (DoP): 20001-AIN

## Contents

1 Introduction .....	3
1.1 About this document.....	3
1.2 Document copyright and disclaimer .....	3
2 Panel dimensions and locations of installation brackets .....	4
3 Storing and handling instructions .....	5
3.1 Storing.....	5
3.2 Plastic cover .....	5
3.3 Handling .....	5
4 Installation.....	6
4.1 Hanging instructions .....	6
4.2 Pipe connections .....	7

# 1 Introduction

## 1.1 About this document

This guide provides guidelines for installing the Halton Ava Individual (AIN) radiant panel.

## 1.2 Document copyright and disclaimer

The contents of this document are for information purposes only. This document remains the sole property of Halton and may not be duplicated, borrowed, copied, amended, modified or reproduced. Any information held in this document or associated materials may only be used for the purpose specified in this document.

Halton disclaims any and all liability related to this document. Halton gives no explicit or implied warranties in terms of this document. Any permitted use of the information included herein is at your own risk. Halton may amend or replace the information included in this document at its sole discretion without further notice and liability.

All intellectual property rights or applications thereof, including without limitation copyright, model rights, patents, trade secrets, trade names, trademarks, know-how (whether registered or unregistered) attributable to this document remain the sole and exclusive property of Halton. No rights or licenses are granted.

## 2 Panel dimensions and locations of installation brackets

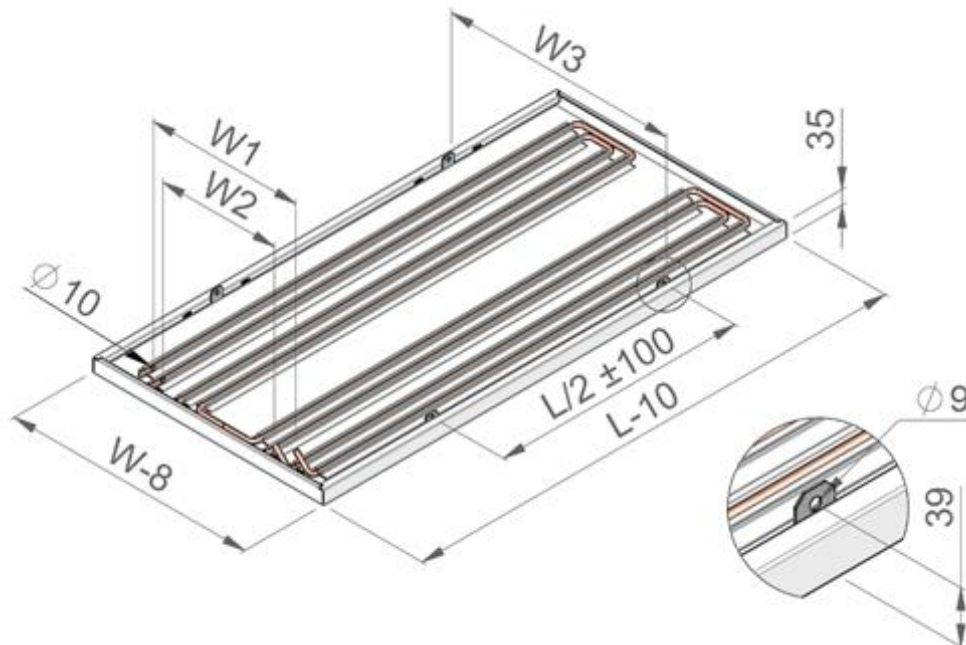
Halton Ava Individual radiant panels are available in three widths and five lengths. The widths are 600, 900 and 1200 mm and the lengths are 600, 1200, 1800, 2400 and 3000 mm.

Most of the panels have four fixing points (installation brackets) and the rest have six. The number of installation brackets depends on the panel size (see Table 1, Fig. 1 and Fig. 2).

*Table 1. Dimensions, weight and number of brackets.*

W			600	900	1200
Nominal width [mm]			600	900	1200
W1					
Pipe spacing, loop 1 (cooling or heating) [mm]			366	662	958
W2*					
Pipe spacing, loop 2 (heating) [mm]			286	582	286
W3					
Bracket spacing [mm]			552	852	1152
Dry mass NL=1 / NL 2 [kg/m]			3,7 / 5,3	5,5 / 7,0	7,2 / 8,8
Water volume NL=1 / NL=2 [kg/m]			0,9 / 1,9	1,4 / 2,4	1,9 / 2,8
No. of brackets	L	600	4	NA	NA
		1200	4	4	4
		1800	4	4	4
		2400	4	6	6
		3000	4	6	6

\*W2/Loop 2 exists only when NL=2



*Fig. 1. Halton Ava Individual dimensions with 4 installation brackets (see Table 1)*

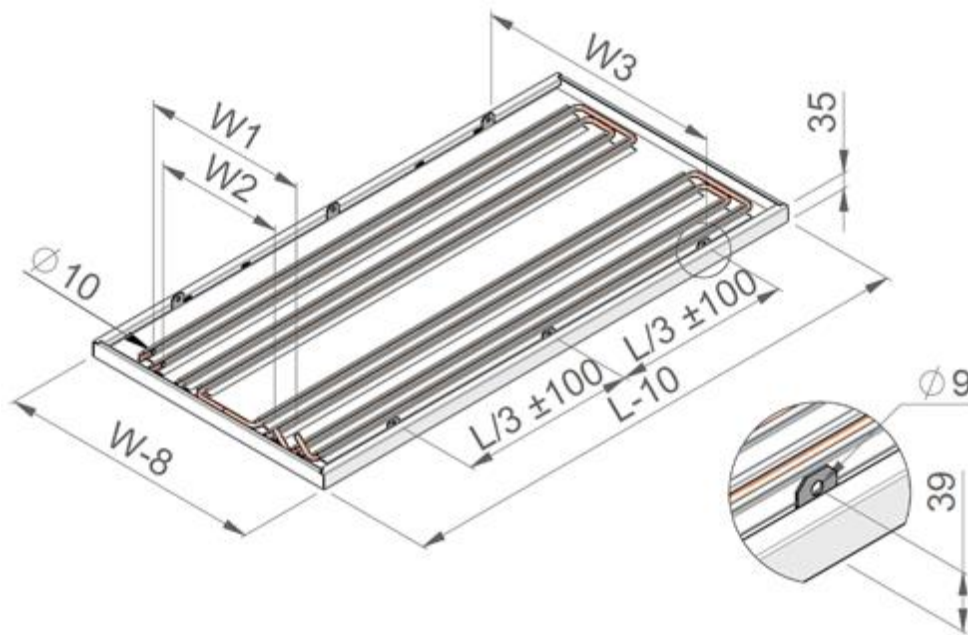


Fig. 2. Halton Ava Individual dimensions with 6 installation brackets (see Table 1)

## 3 Storing and handling instructions

### 3.1 Storing

Store the panel pallets protected from weather. Keep the panels in their original pallets until they are needed for assembly.

### 3.2 Plastic cover

The visible surface of the radiant panels has been protected by removable plastic coating. The coating protects from dust, dirt and small scratches. Remove the plastic coating after all the installation work has been done. In false ceiling installation, remove the plastic from the side edges prior to installation to make final removing easier.

### 3.3 Handling

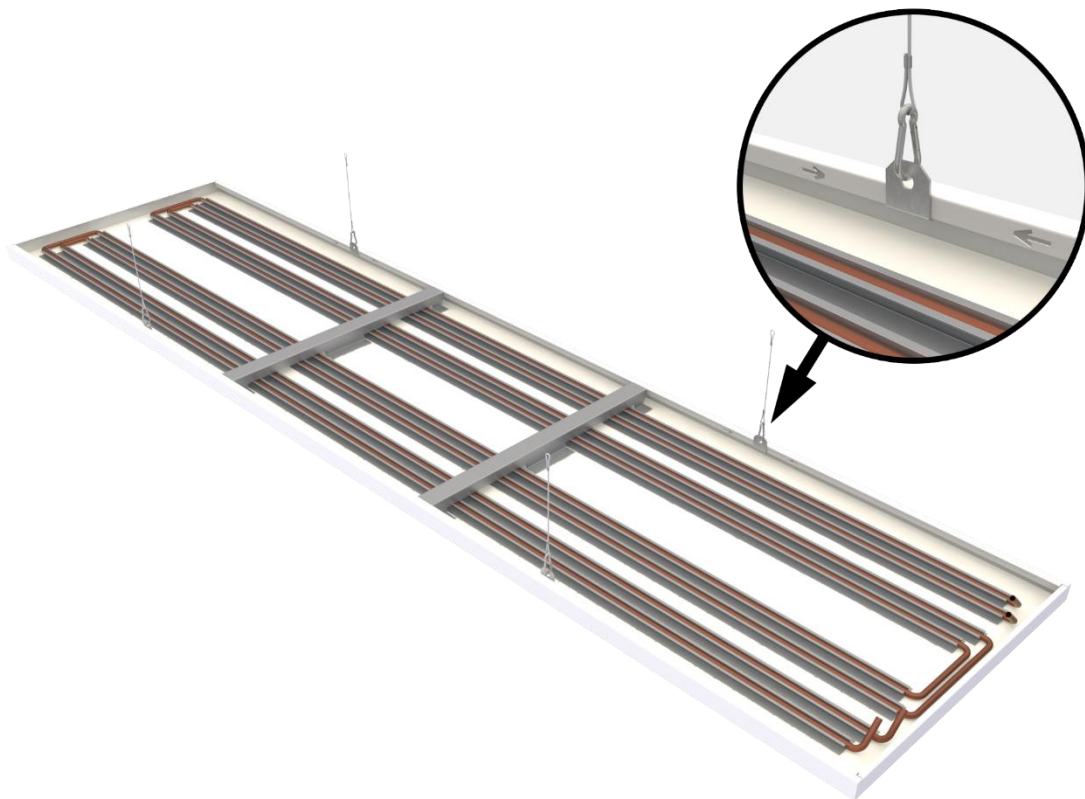
Be extra careful when handling the radiant panels, because the panels and their surface may damage easily. The plastic cover protects only from small scratches. The panels must be carried by two persons. It is safest to carry the panels sideways.

## 4 Installation

### 4.1 Hanging instructions

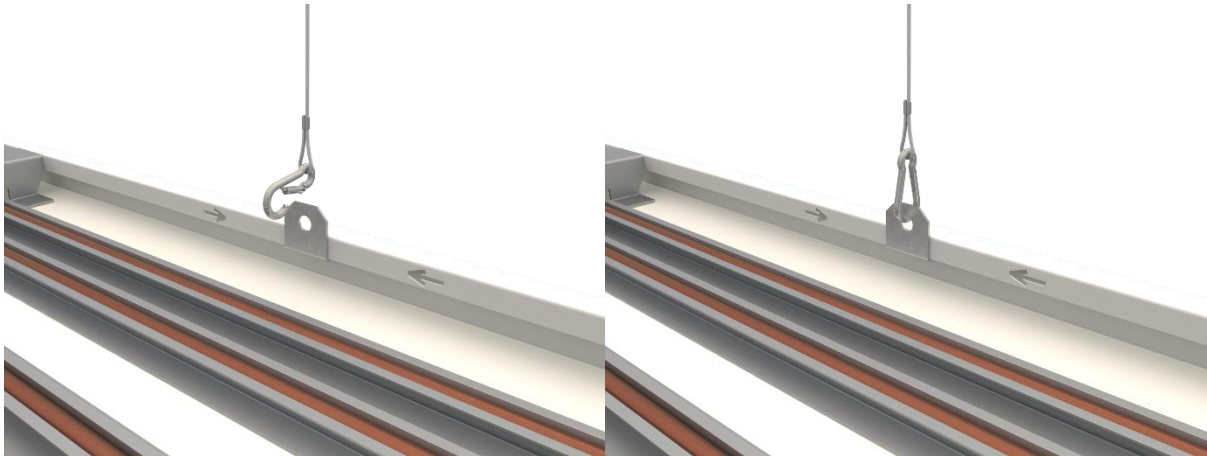
The easiest way to hang the panels is using steel wire and snap hooks (Fig. 3) (not included in standard delivery). The panel must be levelled length- and crosswise by using e.g. adjustable wire hangers.

The installation bracket locations are marked to the panels by arrows and they can be moved lengthwise between the arrows. The number of brackets and their locations are indicated in Table 1 on page 4.



*Fig. 3. Installed radiant panel with close-up picture of installation bracket*

The installation brackets carry the panels from its side bends. Put the bracket under the side bend and lock it with a snap hook. See Fig. 4 for detailed picture.

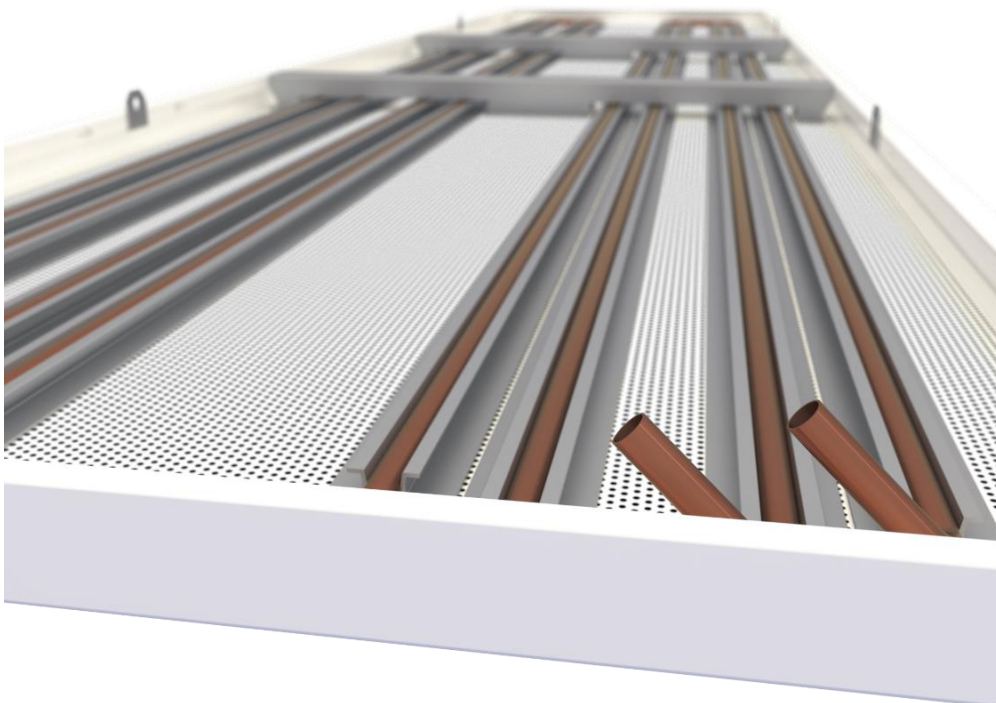


*Fig. 4. Installation bracket with a snap hook and wire*

## 4.2 Pipe connections

The connection pipes of the radiant panel are in 45° angle (Fig. 5). The pipe diameter is 10 mm. In two-loop panel, the inner pipes are for heating.

Handle the connection pipes carefully and do not twist them. It is recommended to use flexible hoses with push-on couplings to connect the copper pipes. It is possible to use compression couplings as well. Do not solder the pipes, because the heat will damage the bond between aluminium profile and the panel. Also, it might damage the painted surface.



*Fig. 5. Connection pipes in two-loop panel (NL=2)*