

Halton Vita VHH HEPA diffuser

Installation, Commissioning and Maintenance guide



Contents

1	Introduction	4
1.1	About this document	4
1.2	Copyright and disclaimers.....	4
1.3	Safety notes	4
1.4	Contact information.....	6
2	Product description.....	7
2.1	Overview	7
2.2	Operating principle	7
2.3	Main parts and materials.....	8
2.4	Further technical details	8
3	Installation	9
3.1	Before you start	9
3.1.1	Installation process	9
3.1.2	Installation requirements.....	10
3.2	Step by step instructions.....	10
3.2.1	Preparing the diffuser for installation.....	10
3.2.2	Mounting the diffuser on the ceiling	11
3.2.3	Installing the ceiling system	13
3.2.4	Installing the HEPA filter	13
4	Commissioning.....	16
4.1	Before you start	16
4.1.1	Commissioning process.....	16
4.1.2	Checks before commissioning	16
4.2	Step by step instructions.....	16
4.2.1	Adjusting the nozzles for 600 x 600 front panel	16
4.3	Checks after commissioning	18
5	Maintenance	19
5.1	Maintenance schedule.....	19
5.2	Removing the diffuser's front panel	19
5.3	Changing the HEPA filter.....	20
5.4	Cleaning the diffuser	21

6 Technical reference data..... 22

6.1 Dimensions..... 22

6.2 Filters..... 25

1 Introduction

1.1 About this document

This guide provides guidelines for installing, commissioning and maintenance of the Halton HEPA diffuser.

1.2 Copyright and disclaimers

The contents of this document are strictly confidential and for information purposes only. Disclosing the information in this document without an appropriate contract or permission by Halton to any third party is prohibited. This document remains the sole property of Halton and may not be duplicated, borrowed, copied, amended, modified, reproduced, transmitted or distributed to any third party without the prior written consent of Halton. Any information held in this document or associated materials may only be used for the purpose specified in this document.

Halton disclaims any and all liability related to this document. Halton gives no explicit or implied warranties in terms of this document. Any permitted use of the information included herein is at your own risk. Halton may amend or replace the information included in this document at its sole discretion without further notice and liability.

All intellectual property rights or applications thereof, including without limitation copyright, model rights, patents, trade secrets, trade names, trademarks, know-how (whether registered or unregistered) attributable to this document remain the sole and exclusive property of Halton. No rights or licenses are granted.

1.3 Safety notes

All information in this section is important and relevant for your safety. Please pay special attention to these icons and the accompanying messages when used later in context in this manual.

Warnings

Warning signs indicate a risk of personal injury including death. There is also a potential risk of material damage. Pay attention to the following signs when performing any tasks or moving in the area:



WARNING!

This symbol indicates a potential hazard, obstacle or condition requiring special attention.

**DANGER OF ROTATING UNIT PARTS!**

This symbol indicates a hazardous location with a risk of personal injury including death and material damage.

**DANGER OF OVERHEAD LOADS!**

This symbol indicates a hazardous location with a risk of personal injury including death and material damage.

**DANGER OF PERSONAL INJURY!**

This symbol indicates a hazardous location (excluding the above-mentioned danger areas) with a risk of personal injury including death and material damage.

Cautions

Caution signs indicate a risk of personal injury or material damage. To ensure your own safety, consider the following cautions:

**CAUTION!**

This symbol indicates a hazardous location with a risk of material damage that can also lead to personal injury.

**CAUTION! HEAVY OBJECT**

Do not lift objects over 20kg (44lbs) alone. Use a lift or seek assistance.

**CAUTION!**

Risk of personal injury or material damage.

Notes

NOTE: Notes are statements to which you should pay special attention.

1.4 Contact information

You can find the contact details from www.halton.com/contact.

2 Product description

2.1 Overview



Halton Vita VHH is a diffuser that is dedicated for hospitals and cleanrooms. It is suitable to install flush with the ceiling or the wall. Air is supplied through adjustable nozzles.

The diffuser is designed to be equipped with H14 class HEPA filter with gel gasket.

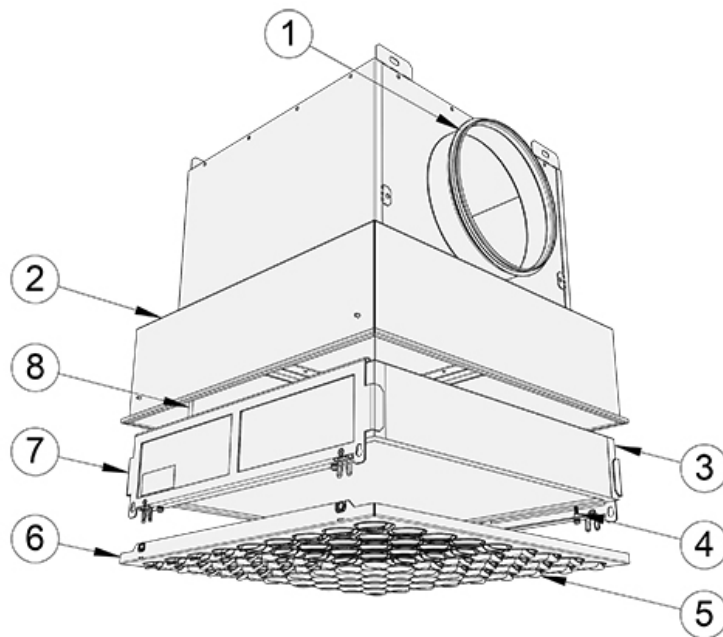
Halton Vita VHH is available in one size with two different types of duct connection.

2.2 Operating principle

The diffuser supplies the filtered air into the space. Adjustable nozzles allow creating the desired airflow pattern. Nozzles can be adjusted in 15 degrees intervals.



2.3 Main parts and materials



No.	Part	Material	Colour alternatives
1	Duct seal gasket	Rubber	
2	Casing	Galvannealed steel with antibacterial epoxy polyester powder paint, white (RAL 9010) finishing	Special colours available on request
3	Filter	Fibreglass paper, aluminium frame and gel gasket	
4	Filter tighten screws	Acid proof M5x25 screws	
5	Nozzles	Polyacetal (POM)	White, grey, black
6	Front panel	Galvannealed steel with antibacterial epoxy polyester powder paint, white (RAL 9010) finishing	Special colours available on request
7	Filter brackets	Galvanised steel with antibacterial epoxy polyester powder paint, white (RAL 9010) finishing	
8	Pressure measurement hose	Polyurethane	

2.4 Further technical details

For Halton VHT dimensions see the [Dimensions](#) in the technical reference data section.

For filter technical data see the [Filters](#) chapter in the technical reference data section.

3 Installation

3.1 Before you start

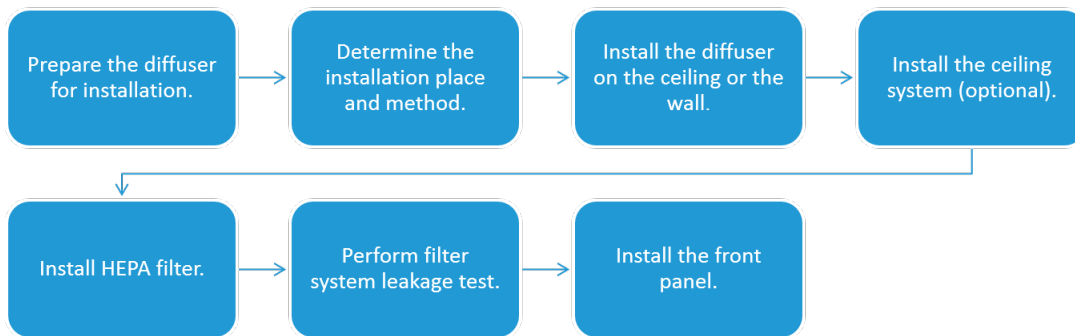
3.1.1 Installation process

The installation is carried out by Halton Field Service or an approved partner.

Follow the installation process chart to install the Halton HEPA diffuser.

Typically there is a several weeks break between diffuser installation and HEPA filter installation due to the construction stages.

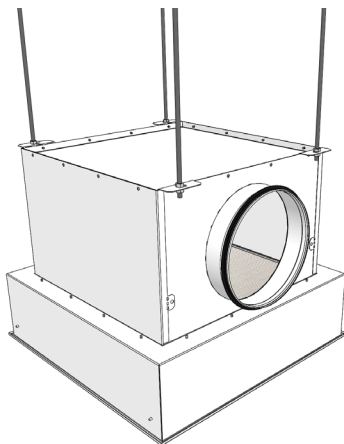
NOTE: The filters and front panels can be delivered on site in a separate shipment to avoid possible damages to the filters during storage.



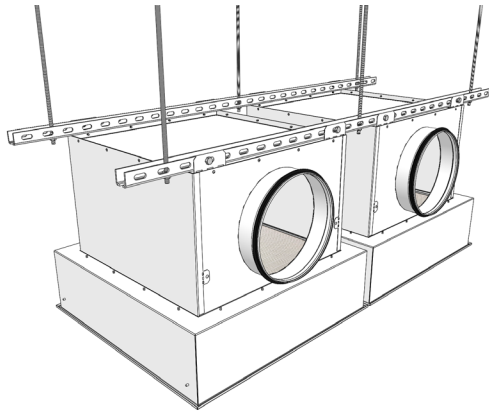
Installation process chart

The possible installation methods are:

- stand-alone



- in-line



3.1.2 Installation requirements

While installing the diffuser, keep the following items in mind:

- Installation should be carried out only by qualified HVAC technicians.
- Fix the unit only to load-bearing ceilings.
- Do not unpack the filter until you are ready to install it.
- It is recommended that you work in pairs and use a lift.



CAUTION!

Do not drill any holes into the casing. If the casing has been damaged, unfiltered air may leak.

3.2 Step by step instructions

3.2.1 Preparing the diffuser for installation

Preparing the diffuser is essential for safe and correct installation.

Procedure

1. Unpack the diffuser and check its condition.
2. Check that all the parts are present;
 - Diffuser casing
 - Front panel

NOTE: The diffuser can be delivered with or without the front panel.

NOTE: The front panel can be attached to the unit. In this case, detach the front panel before installing the filter. It is also recommended to detach the front panel before diffuser installation for easier access to the inside of the unit and nozzles protection.

- Filter brackets
- HEPA filter

NOTE: See [Main parts and materials](#) for the product structure.

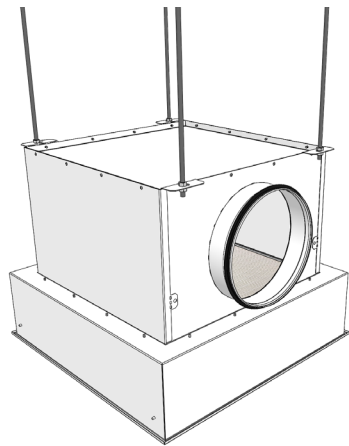
3. Determine the correct location and mark the correct location.
4. Before lifting the units protect the paint by using foam or cardboard.

3.2.2 Mounting the diffuser on the ceiling

The two installation methods are possible: stand-alone and in-line. Different suspension elements are required.

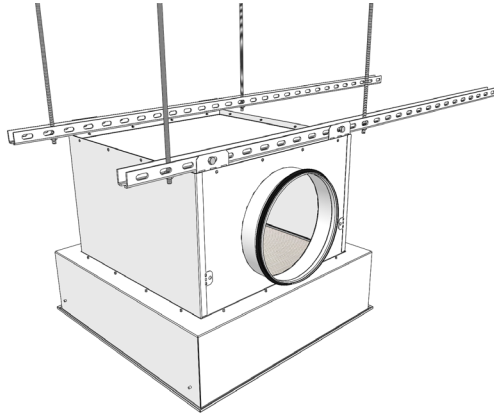
Procedure

1. Fix suspension elements;
 - Rods for stand-alone diffuser installation



NOTE: Brackets can be bent 90° to support this method.

- U-beams for in-line diffuser installation



NOTE: Fixing material is not included in the delivery.



WARNING!

Only use fixing materials designed for the required load.

2. Attach the units to the suspension elements.



WARNING!

Stand clear of suspended loads, unless properly secured.

3. Ensure that the casing is levelled and at required height.
4. Connect the ductwork.
5. Seal the duct connection.

NOTE: If filters are to be installed later, attach front panels (if delivered with the diffuser) and protect the unit from dust by using, for example, a plastic sheet.

3.2.3 Installing the ceiling system

This installation step is optional. The supply and installation of a ceiling system is the responsibility of the customer.

The T-bar runners are installed below the device. The unit is designed to fit in the standard size of the false ceiling grid.

NOTE: For the design of the diffuser compatible with the false ceiling system, contact Halton Sales.

3.2.4 Installing the HEPA filter

Correct HEPA filter installation is essential for contamination control in the room.

Before you start

Make sure that:

- All the site works that produces dust and dirt are completed.
- All non-essential items are removed from the room.
- The room is clean.
- The ventilation system is tested.
- The air channels are cleaned or properly flushed.
- Check that challenge ports can be located for the filter leakage test.
- The filter is not damaged.
- Clean all the interior surfaces of the casing with a disinfectant.

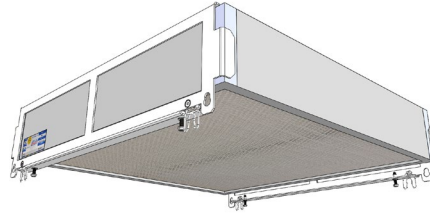
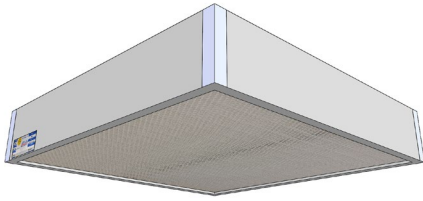


CAUTION!

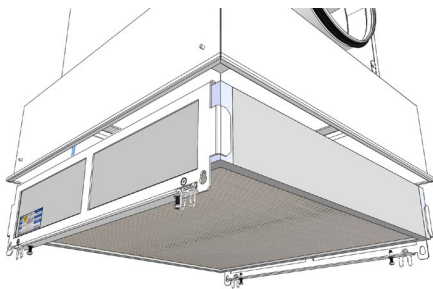
Use extreme caution while fitting the filters. The slightest damage to the filter medium can result in a leaking filter.

Procedure

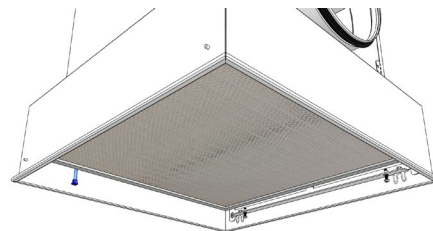
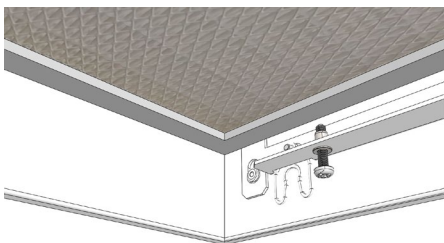
1. Insert filter brackets.



2. Fit the filter in place.



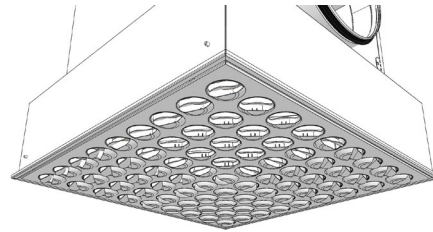
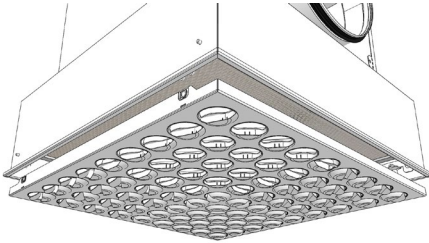
3. Push the filter together with brackets into the casing and lock the brackets on the studs.



4. Ensure that the filter is centred and pressure measurement hose is visible on the side of the filter. Tighten the filter evenly, in crosswise sequence, with screws in the brackets until the screws bottom out.



5. Perform an installed filter system leakage test, for example, according to the ISO 14644-3 Cleanrooms and associated controlled environments standard.
6. Mount the diffuser front panel. Push the front panel until the springs will lock.



4 Commissioning

4.1 Before you start

4.1.1 Commissioning process

The commissioning is carried out by Halton Field Service or an approved partner.

The main steps in the commissioning process are:

- Verifying that the installation has been performed according to design drawings.
- Adjusting the nozzle settings to create the desired airflow pattern.

4.1.2 Checks before commissioning

Before you start adjusting the nozzle settings:

- Verify that the diffuser installation has been performed according to design drawings.
- Wear sterile clothes (optional).
- Wear protective gloves.
- Check what is the desired airflow pattern. Halton standard nozzle settings are for directing the airflow in up to four directions or as swirl jet.

NOTE: Creating a project-specific airflow pattern is possible. Contact Halton to get the nozzle settings drawings.

- It is recommended to use a tool designed by Halton for turning the nozzles. It can be provided by Halton on request.

4.2 Step by step instructions

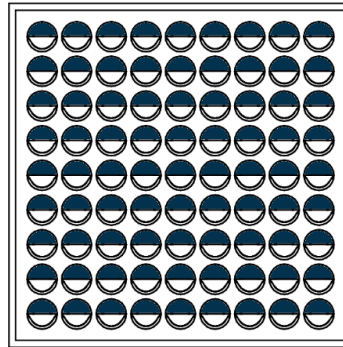
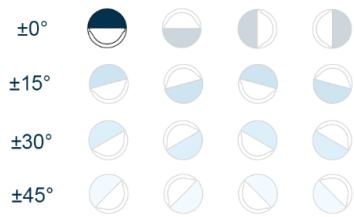
4.2.1 Adjusting the nozzles for 600 x 600 front panel

Procedure

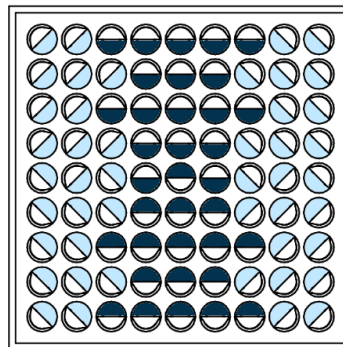
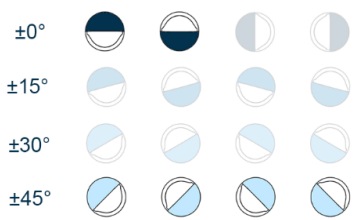
1. Detach the front panel from the diffuser if you're adjusting the nozzles without the Halton tool (optional).

NOTE: See [Removing the diffuser's front panel](#).

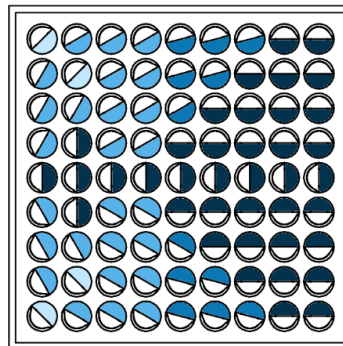
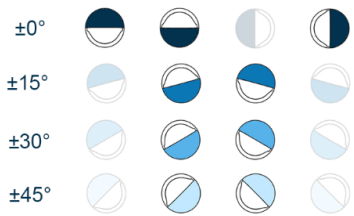
2. Turn the nozzles from the backside of the panel in one of the recommended airflow patterns.



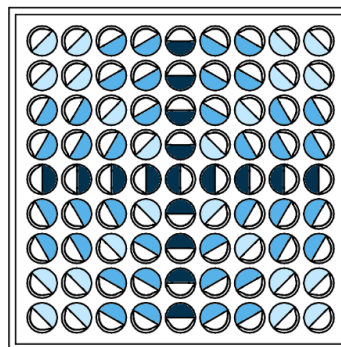
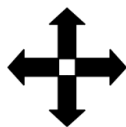
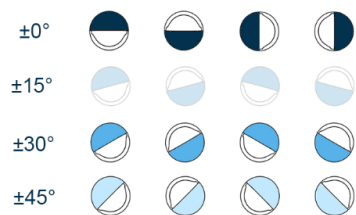
One directional airflow pattern



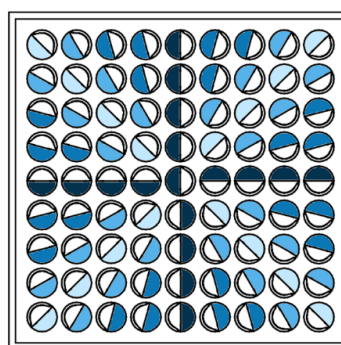
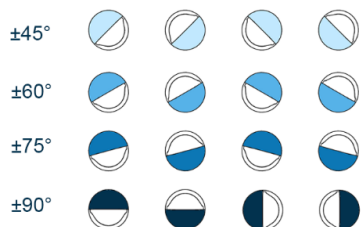
Two directional airflow pattern



Three directional airflow pattern



Four directional airflow pattern



Swirl airflow pattern

4.3 Checks after commissioning

It is recommended to verify the airflow pattern with the artificial smoke.

5 Maintenance

5.1 Maintenance schedule

Determining the cleaning frequency is the responsibility of the customer.

Check the HEPA filter periodically and replace the filter when necessary. The servicing frequency of a filter depends on the air cleanliness of the supply air and/or room air. Replace the filter immediately if:

- the final differential pressure has been reached
- the filter is damaged
- micro-organisms, fungal spores, or odours are present in the filter

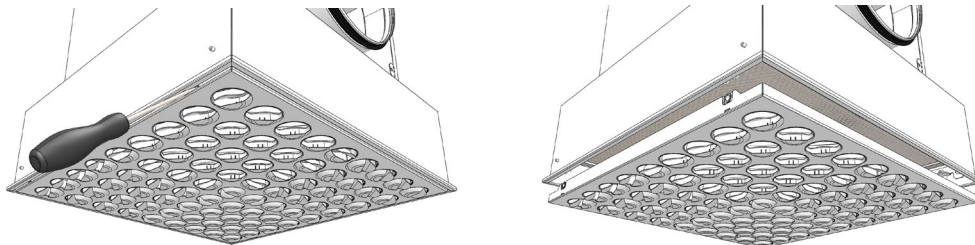
5.2 Removing the diffuser's front panel

Some maintenance tasks, for example, filter changes or cleaning, require removing the diffuser's front panel.

Procedure

1. Detach the front panel.

There are four openings on the side of the front panel.



NOTE: The panel can be removed by one person.



CAUTION!

Risk of material damage. Protect the front panel painting.

2. Place the diffuser face on a protective surface, for example, on the cardboard.

5.3 Changing the HEPA filter

Before you start

- Switch off the air conditioning system, or close the shut-off damper (if any).
- Wear protective equipment.

Procedure

1. Remove the front panel.

NOTE: See [Removing the diffuser's front panel](#).

2. Loosen the filter screws.



CAUTION!

Risk of injury from a falling filter!

3. Remove the filter brackets with the filter, by pulling it.
4. Dispose of the contaminated filter.

Filters and cleaning materials that have been contaminated with bacterial, toxic or radioactive particles are considered hazardous waste and have to be disposed in compliance with local regulations.

5. Wipe the surface of the diffuser with a disinfectant.

NOTE: See [Cleaning the diffuser](#).

6. Install the HEPA filter.

NOTE: See [Installing the HEPA filter](#).

5.4 Cleaning the diffuser

Procedure

1. Remove the front panel.

NOTE: See [Removing the diffuser's front panel](#).

2. Clean the front panel in the pre autoclave washing machine (<95 °C, optional).
3. Wipe the diffuser casing with disinfectants.

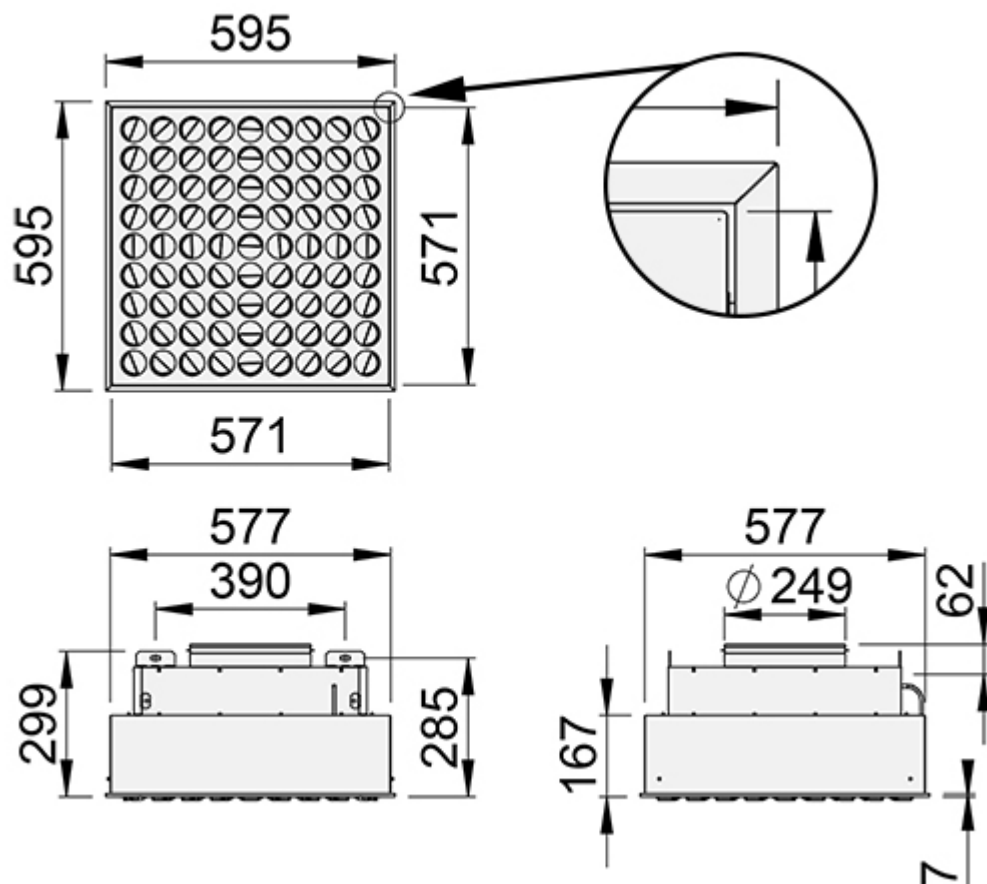
NOTE: Lockable nozzles ensure that nozzle setting is not changed during cleaning.

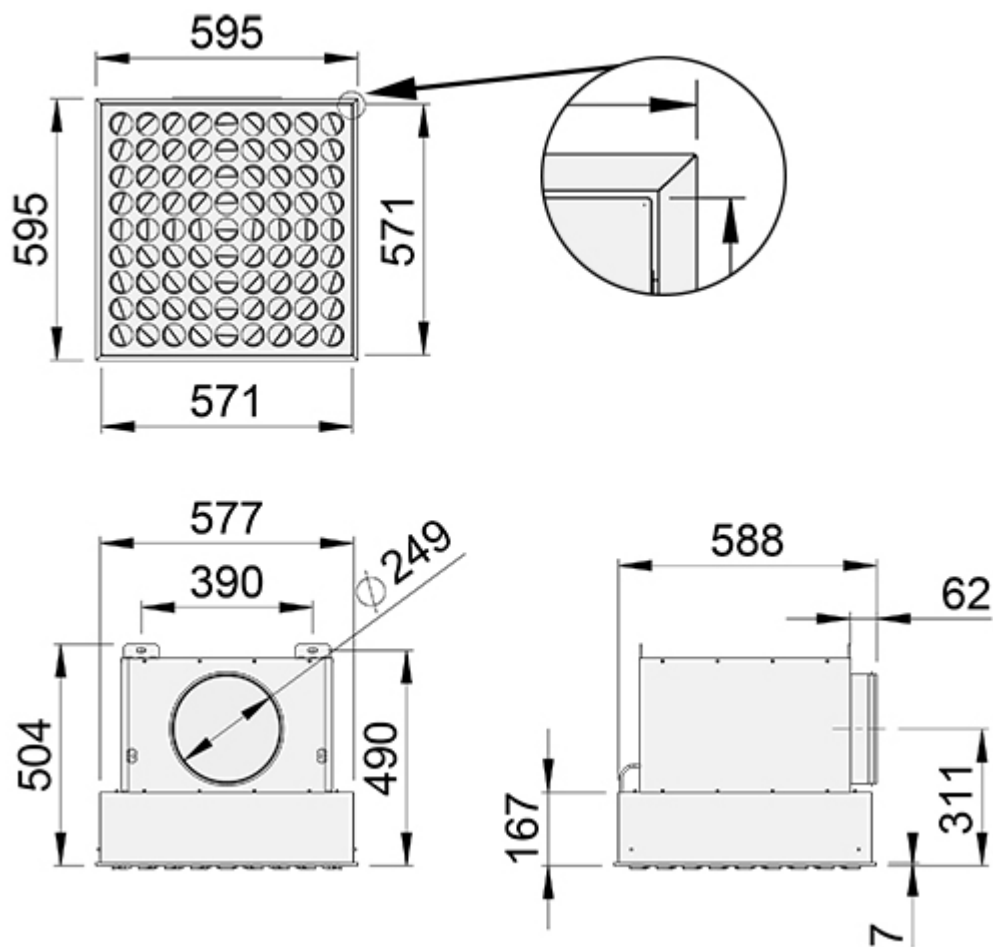
6 Technical reference data

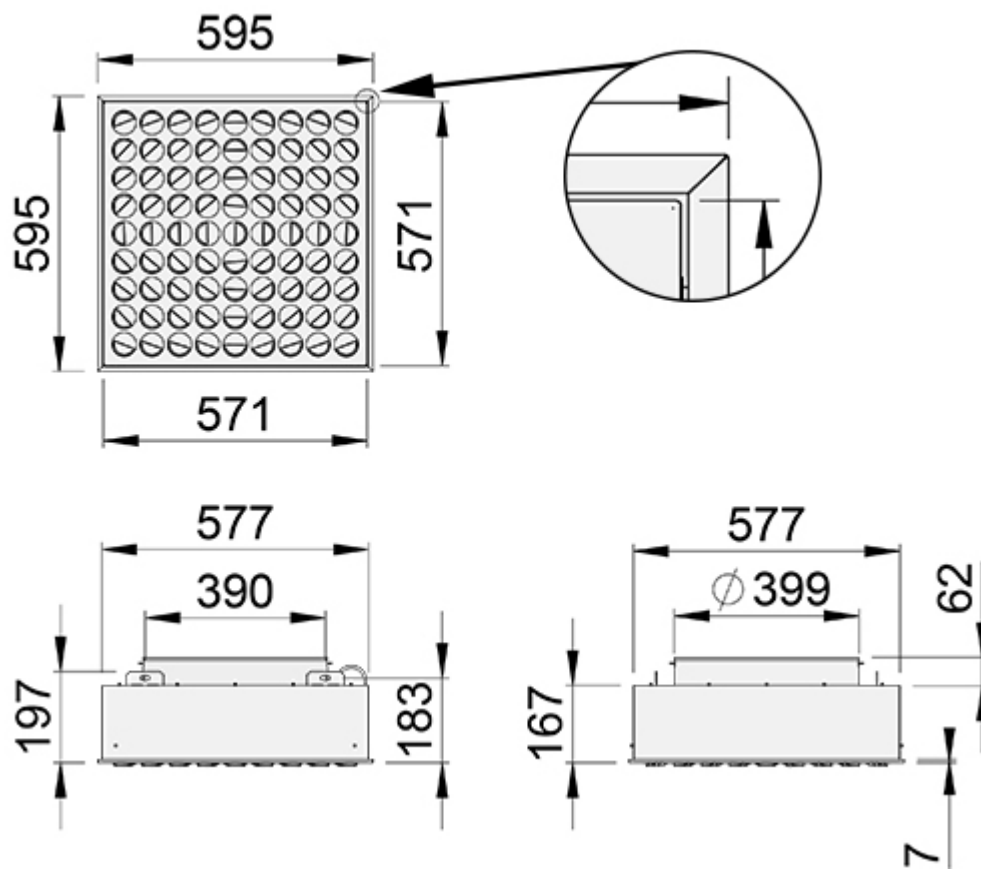
6.1 Dimensions

Halton Vita VHH is available in one size (600 x 600). There three options that differ in duct connection type and size.

Halton Vita VHH with top circular ($\varnothing 250$) duct connection



Halton Vita VHH with side circular ($\varnothing 250$) duct connection

Halton Vita VHH with top circular ($\varnothing 400$) duct connection

6.2 Filters



Description

High efficiency particulate air (HEPA) filters are widely applied in cleanrooms where high air quality standards are essential.

Performance data of HEPA filters

Filter compatible with Halton Vita VHH diffuser is available in class H14 (European Standard EN 1822-1:2009) with gel gasket.

Operating range:

- Temperature max. 70 °C
- Humidity max. 90 %
- Final pressure drop max. 500 Pa

Dimensions WxHxD (mm)	Filter class	Order code
557x557x102	H14	AF-H14-AL-557*557*102-GEL