

CFD-01 A0 (A60) E120S Fire damper

For onshore and heavy industry ventilation systems



MATERIALS

PART	MATERIAL	FINISHING
Case	Mill Galvanised Mild Steel	Mill Finish
Case	Stainless steel 1.4307 (304L) Stainless steel 1.4404 (316L)	Typically 2B finish
Blades	Mill Galvanised Mild Steel	Mill Finish
Blades	Stainless steel 1.4307 (304L) Stainless steel 1.4404 (316L)	Typically 2B finish
Shafts	Stainless steel 1.4307 (304L) Stainless steel 1.4404 (316L)	-
Bearings	Oil Impregnated Sintered Bronze (other options available on request)	-

DIMENSIONS

CASING

The damper casing is formed from 3.0 mm thick sheet steel into a rigid channel section to ensure proper alignment of blades and shafts. Damper Units in excess of 3000mm width or height shall be manufactured as a multiple unit assembly. Where circular dampers or dampers with width or height dimensions less than 150 mm are required, additional spigot adaptors are used which increase the damper insertion length from 300 to 400 mm.

SHAFTS

Continuous Ø 19.05 mm with blades plug welded at each end.

APPLICATIONS

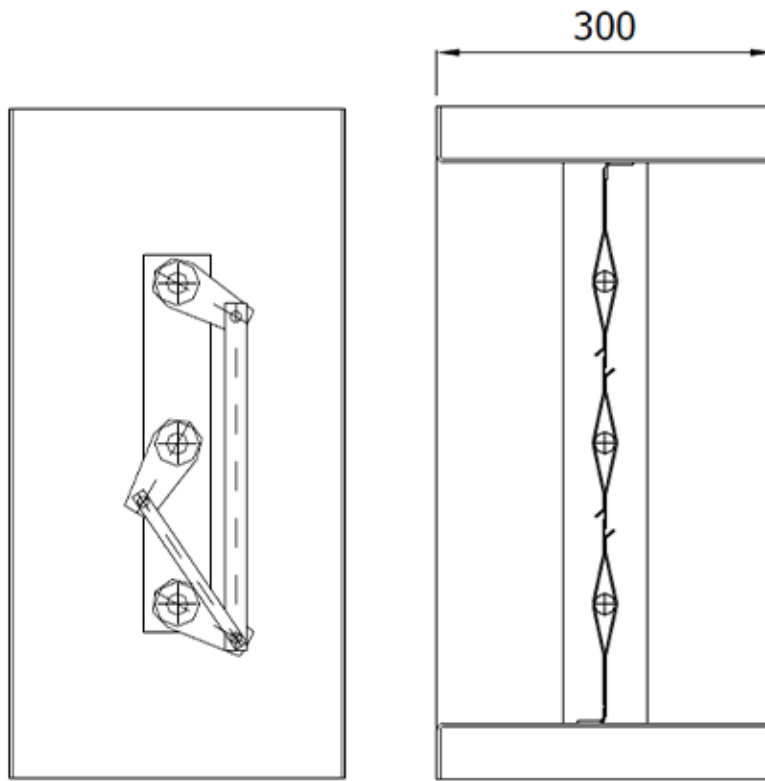
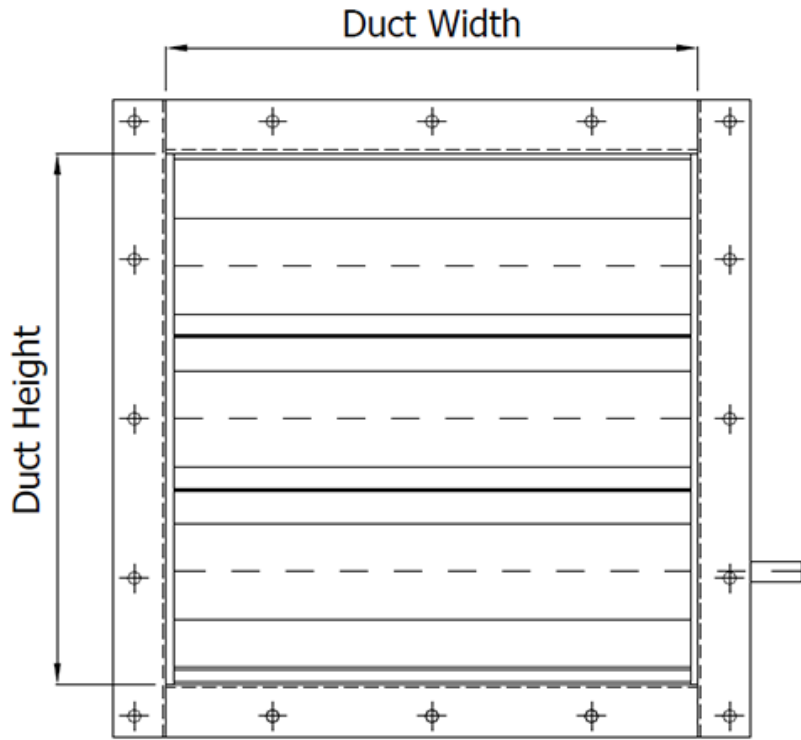
The type CFD-01 Fire and Smoke Dampers are utilised in ventilation systems to prevent the passing and spread of fire and smoke between designated divisions. The Flamgard Calidair Fire Damper is designed for bolting to steel bulkheads & decks, fixing to walls or floors or connecting directly to ductwork. All bolted connections are made via integral bolted angle flanges. The damper has been successfully tested to global international standards highlighted above.

FEATURES

- Certified IMO Annex FTP 1, Part 3 certified by Lloyds Register of Shipping, DNV, ABS and BV
- Type tested/approved and compliant to EN1366-2 Fire Resistant to E (Integrity) S (Smoke) and I (Insulation) from 30 to 120 minutes. (Patented)
- BS 15650 accredited
- Type tested/approved for Hydrocarbon applications H0-H120
- Type tested/approved BS476
- Type tested/approved GOST R 55301-2009. (Patented)
- NORSOK case and blade leakage compliant
- Case and Blade leakage compliant to EN 1751
- Independent SIL2 Certified
- ATEX Compliant
- ISO 9001:2015 accredited
- Independent Pressure Drop Tested
- Independent Noise Tested
- Independent Seismic and Blast tested

BLADES

The blades are a formed double-skin aerofoil section of 1.5 mm sheet metal which operate on the 'Firelock' principle creating a 3-pass labyrinth between the blades which fire cannot penetrate. Blade stops at the top and bottom of the casing and sprung side seals provide excellent low leakage characteristics. Dependent on market sector or required certification of the Damper additional patented sealing and blade materials are utilized.



End Elevation

Section

PRODUCT MODELS AND ACCESSORIES

Flamgard Calidair CFD-01 Fire and Smoke Dampers are available with the following actuators:

- Manually operated damper with a spring pack and fusible link
- Pneumatic spring return actuator
- Electronic spring return actuators with a voltage range between 24V to 430V. Including models that can be used in Ex areas and hazardous locations
- Electro-hydraulic actuators

Damper control systems can be mounted within an enclosure to protect them from the elements and mechanical damage.

Dampers can be fitted with a with a range of controls components for safe and hazardous areas including suitable IP ratings where required.

For available options please contact sales team for more information.

WEIGHTS

Please note the below table gives bare shaft damper weights only at the given square dimensions. Weights for specific sizes are issued on the quotation document.

WIDTH/DIA.	DAMPER SIZE (MM)		EST. WEIGHT
	HEIGHT	DEPTH	
150	150	300	10 kg
200	200	300	12 kg
250	250	300	15 kg
300	300	300	20 kg
350	350	300	23 kg
400	400	300	26 kg
450	450	300	31 kg
500	500	300	35 kg
550	550	300	39 kg
600	600	300	44 kg
650	650	300	48 kg
700	700	300	53 kg
750	750	300	59 kg
800	800	300	64 kg
850	850	300	68 kg
900	900	300	76 kg
950	950	300	81 kg
1000	1000	300	86 kg

OPERATION PRINCIPLE

Under normal operation, Fire Dampers will remain in the open position allowing for the ventilation of the associated areas. By definition, Fire Dampers must fail-safe closed to protect the rating of the fire division. This is typically achieved using a spring return system ensuring the damper closes even on loss of power.

Automatic operation in the event of a temperature rise in ductwork:

- The fusible link will release and thus allowing the mechanical spring pack to close the dampers blades
- The fusible link releases and operating pressure will be cut off to the pneumatic actuator, thus causing the damper blades to close fully
- The fusible link releases and operating voltage will be cut off to the electric actuator, thus allowing the spring to close the damper blades fully

Additional operations may include:

- Remote operation of the fire damper
- Local operation of the fire damper
- Remote indication of the fire dampers status
- Local indication of the fire dampers status
- Facility for automatic operation from fire or gas detection systems
- Facility for 'black start' operation

INSTALLATION

Dampers are typically provided with integral drilled flanges that allow for bolting to ductwork, structural divisions, wall sleeves and similar. Flanges and drillings can be to Flamgard standard or customer specification.

Dampers can be fitted in any orientation with airflow in either direction.

Installation and maintenance instructions can be provided with each damper delivery.