

Halton ALU – Universal grille



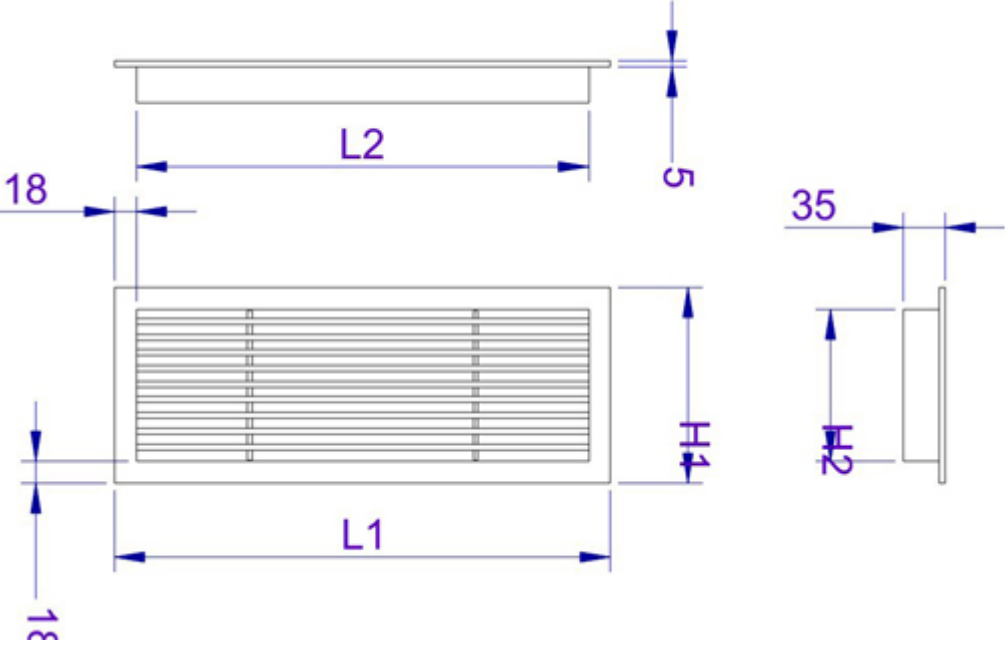
Overview

- Horizontal air supply, also suitable for exhaust
- Fixed vanes, stable throw pattern with no deflection
- Aluminium design with elegant appearance
- Detachable grille allows cleaning of the grille and ductwork
- Continuous grilles available with modular design

Accessories

- Airflow adjustment damper
- Plenum options with measurement and adjustment functions
- Installation frame

Dimensions



LxH	L1	L2	H1	H2
200×50	212	176	62	26
200×100	212	176	112	7
300×100	312	276	112	76
400×100	412	376	112	76
500×100	512	476	112	76
600×100	612	576	112	76
800×100	812	776	112	76
1000×100	1012	976	112	76
600×150	612	576	162	126
800×150	812	776	162	126
1000×150	1012	976	162	126
1200×150	1212	1176	162	126
1500×150	1512	1476	162	126
600×200	612	576	212	176
800×200	812	776	212	176
1000×200	1012	976	212	176
1200×200	1212	1176	212	176
1500×200	1512	1476	212	176

With flow control damper OD total depth is 35 mm + 45 mm.

The free area of the ALU grille is 65 %.

Special dimensions

In addition to standard sizes, other sizes can be specially ordered. The maximum size is 1500×500 mm (LxH).

It is possible to have a continuous grille of modular design when the installation length is greater than 1500 mm. The maximum total length is 20 m.

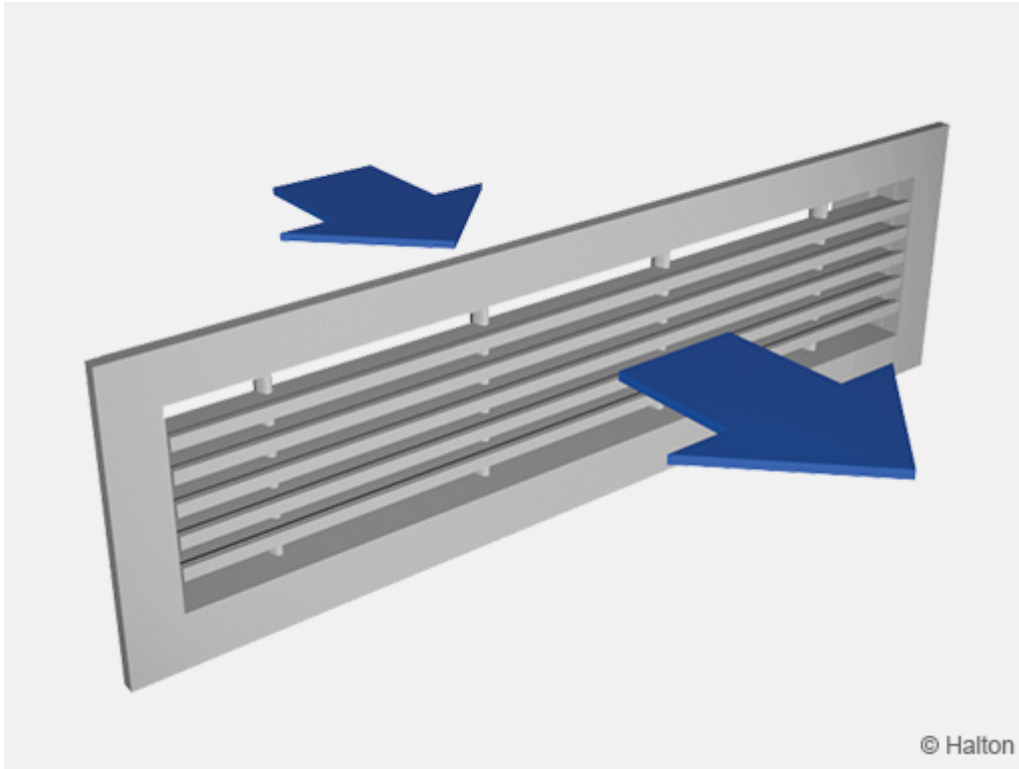
Material

Part	Material	Finishing	Note
Frame	Aluminium	Polyester-painted as white (RAL9003/30% gloss), anodised or mill finished	Special colours available Epoxy-painting (100 %) available
Vanes	Aluminium	Polyester-painted as white (RAL9003/30% gloss), anodised or mill finished	Special colours available Epoxy-painting (100 %) available
Installation frame	Galvanised steel		
Plenum box / spigot	Galvanised steel		

Accessories

Accessory	Code	Description
Balancing plenum	PRL	For balancing & equalising the airflow and attenuating the duct noise
Plenum	BDR	Plenum for duct connection (with or without attenuation material)
Sound attenuation	IN	Mineral wool for the BDR plenum box. Polyester fiber for the PRI plenum box.
Flow adjustment damper	OD	Aluminium opposite blade damper for airflow adjustment
Installation frame	IF	For installation without plenum
Concealed screw fastening	CC	For installation with BDR plenum or IF frame

Function



Supply air is supplied without deflection through the vanes into the space mixing with room air in front of the grille.

Wall installation for horizontal supply or ceiling installation for vertical supply.

The grille can also be used as an exhaust unit.

Installation

The grille is connected to the circular duct using either a Halton PRL balancing plenum or a Halton BDR plenum or alternatively directly to the rectangular duct using the IF/ALU installation frame.

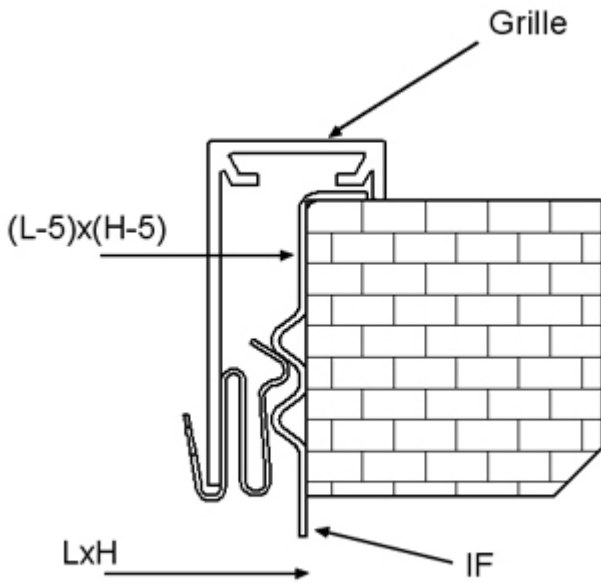


Installation frame, IF/ALU

Balancing plenum, PRL

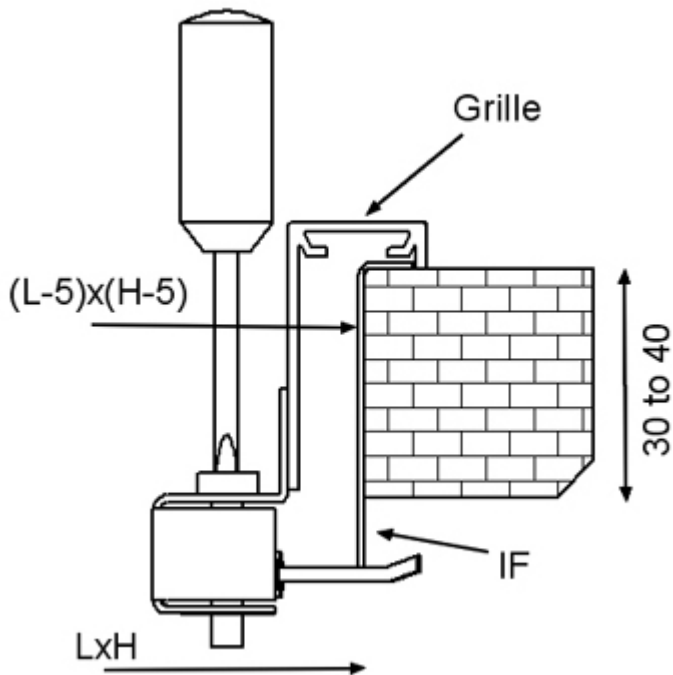
Plenum, BDR

Clips fastening (standard)



The grilles are supplied with clips fastening as standard. Clips fastening is used with Halton PRL, Halton BDR and IF/ALU.

Concealed screw fastening



Concealed screw fastening is possible when the grille is installed with an installation frame (IF/ALU) or with a Halton BDR plenum, though not with a Halton PRL balancing plenum. Holes for screws are provided in the Halton BDR.

For ceiling installation concealed screw fastening is recommended.

Visible screw fastening

Visible screw fastening is not possible due to the reduced width of the frame (18 mm).

Size of the installation hole is LxH when an installation frame is used and (L-5) x (H-5) without an installation frame.

Adjustment

In order to enable airflow adjustment and measurement of airflow rate it is recommended that you connect the diffuser to the Halton BDR plenum or Halton PRL balancing plenum equipped with the MSM module.

The supply flow rate is determined by using the measurement and adjustment module MSM.

Detach the grille and pass the tubes and control spindle through the grille.

Measure the differential pressure using a manometer. The flow rate is calculated using the formula below.

$$q_v = k * \sqrt{\Delta p_m}$$

Adjust the airflow rate by rotating the control spindle until the desired setting is achieved.

Lock the damper position with a screw.

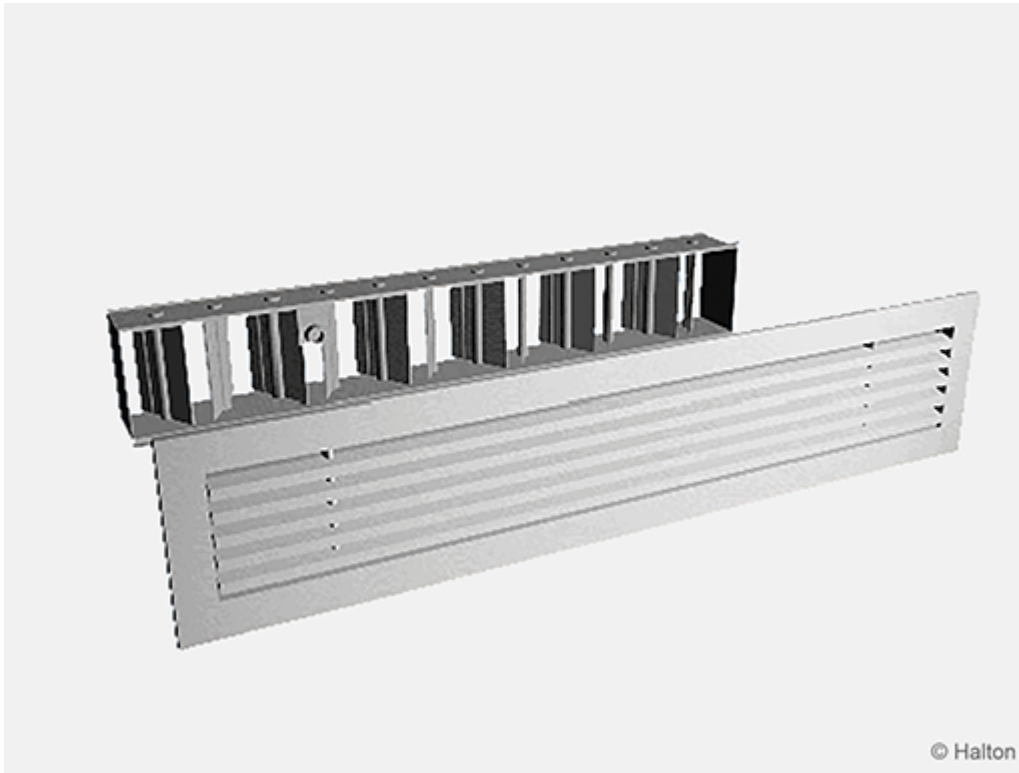
Replace the tubes and spindle in the plenum and replace the grille.

The k factor for installations with different safety distances (D= duct diameter)

Halton BDR

D	>6xD	min 3xD
100	6	7
125	10	12
160	19	22
200	28	32
250	49	51
315	77	83

Airflow adjustment damper OD



The airflow rate is adjusted by turning the damper blades behind the grille using a screwdriver. The measurement is carried out when grille is installed.

Servicing

Remove the grille by gently pulling the grille from the outer frame and clean the parts by wiping them with a damp cloth.

Push the grille back into place so that the clips lock (or fix by tightening the concealed screws).

Option:

With balancing plenum Halton PRL or Halton BDR + MSM

Remove the measurement and adjustment module by gently pulling the shaft (NB. not the control spindle or measurement tubes!).

Wipe the parts with a damp cloth, instead of immersing in water.

Reassemble the measurement and adjustment module by pushing the shaft until the module meets the stopper.

Push the grille back into place so that the clips lock.

Specification

The grille has horizontal fixed vanes and a 18 mm wide flat frame, anodized or polyester-painted with a white (RAL 9003) colour.

Option 1

The grille can be connected to the ductwork using a plenum with mineral wool as sound insulation material.

Option 2

The grille can be connected to the ductwork using a balancing plenum, which comprises polyester fibre with a washable surface as sound attenuation material.

The plenum can have an airflow measurement and adjustment unit.

The grille is removable in order to provide access to the measurement and adjustment module in the plenum.

Order Code

ALU-L-H; FS-FI-CO-ZT

L = Length

200, +1, ..., 20000

H = Height

50, +1, ..., 500

Other options and accessories

FS = Fastening

CL Clips

CC Concealed screw fastening

FI = Finishing

AN Anodised

MF Mill finished

PN Painted

CO = Colour

SW White (RAL 9003)

X Special colour

N No painting

ZT = Tailored product

N No
Y Yes

Sub products

BDR Plenum
PRL Balancing plenum
IF Installation frame (Grilles)
OD Opposed blade damper (Grilles)

Code example

ALU-200-50, FS=CL, FI=AN, CO=N; ZT=N