

Halton APL – Jet air diffuser



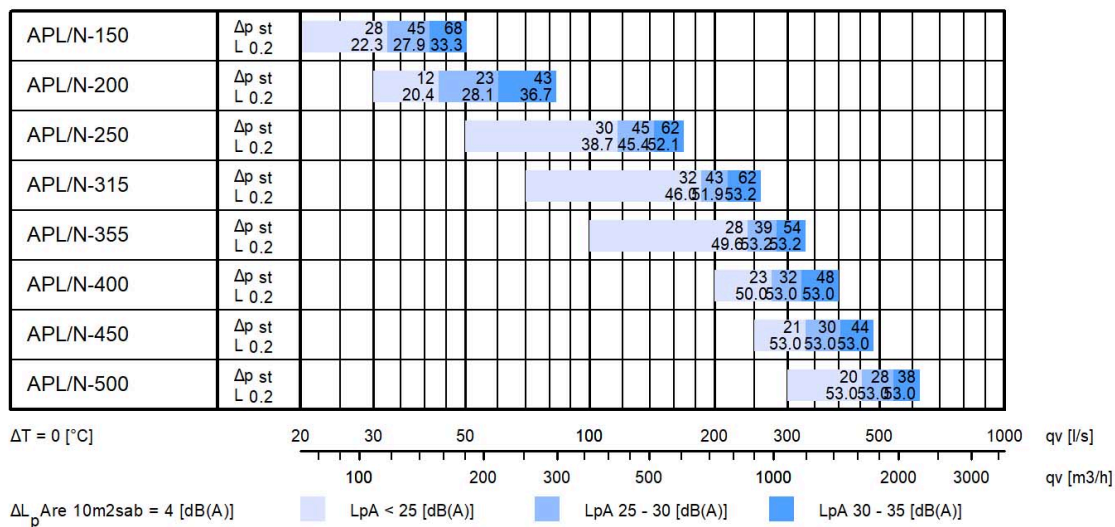
Overview

- Specially designed for large enclosures
- Long throw pattern with low velocity reduction
- Auto-balancing of the duct work due to units high pressure drop
- Directional air pattern; maximum deflection angle of 30° in all directions
- Circular duct connection with rubber gasket
- Corrosion resistant aluminium material

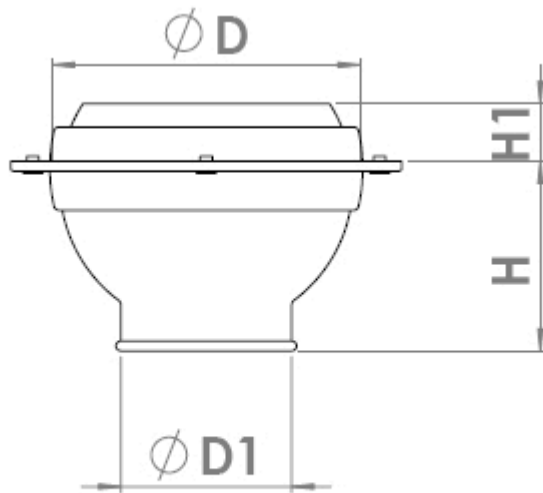
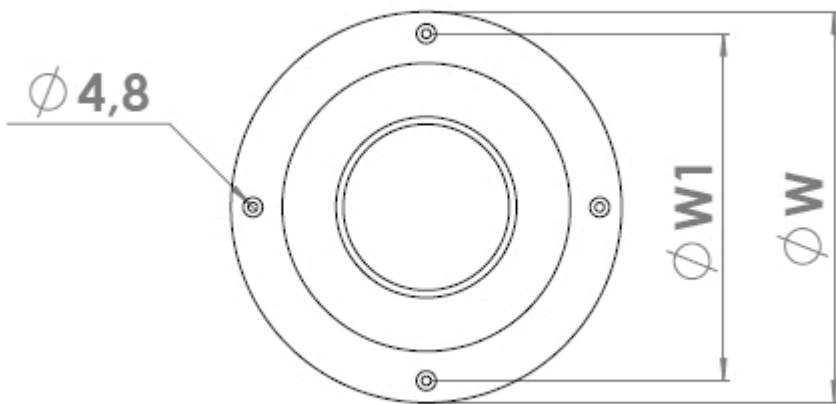
Product models

- Model with adjustment damper

Quick selection



Dimensions



NS	ϕW	$\phi W1$	H	H1	ϕD	$\phi D1$	Number of mounting holes
150	203	178	92	29	152	76	4
200	254	229	117	44	203	111	4
250	305	279	159	64	254	146	6
315	356	330	165	76	305	187	6
355	406	381	187	105	356	219	6
400	457	432	216	117	406	248	6
450	508	483	254	117	457	267	8
500	559	533	279	127	508	314	8

The installation hole in the wall : ØD + 8mm

Material

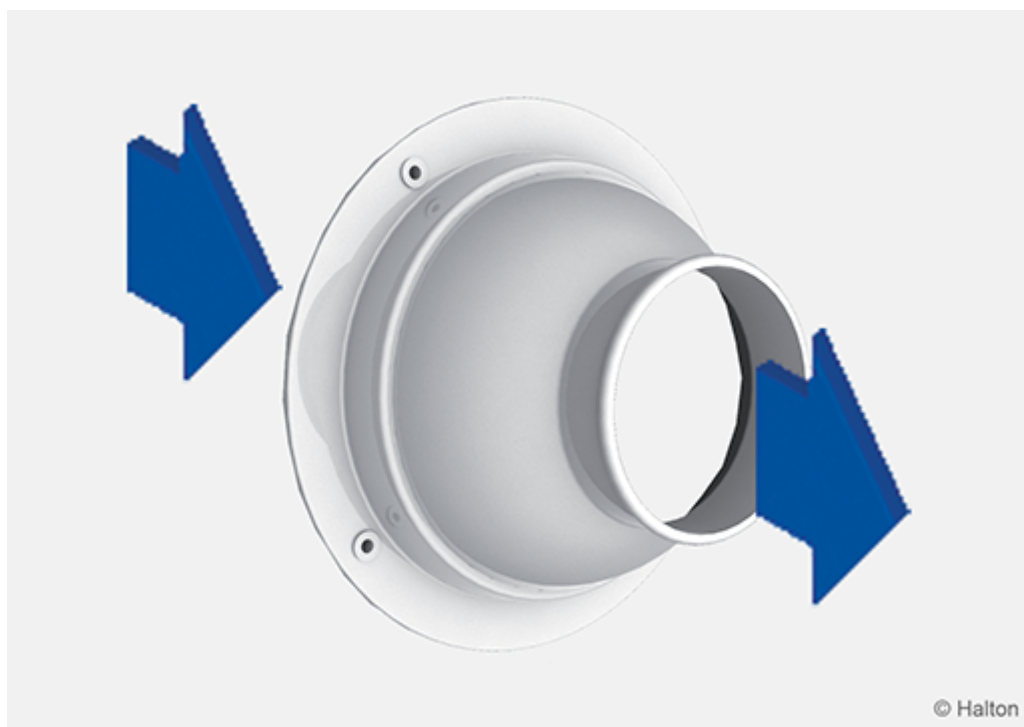
Part	Material	Finishing	Note
Deflection ball	Aluminium	Anodised or White (RAL 9003)	Special colours available
Mounting frame	Aluminium	Anodised or White (RAL 9003)	Special colours available
Gasket	Open cell polyester foam		

Product models

Product model	Code	Description
APL with circular damper	APL/A	Adjustable airflow rate with aperture control
APL without damper (standard)	APL/N	

The aluminium aperture damper is connected to the adjustment knob via a stainless steel connecting link, tension spring and hardware, providing corrosion resistance.

Function

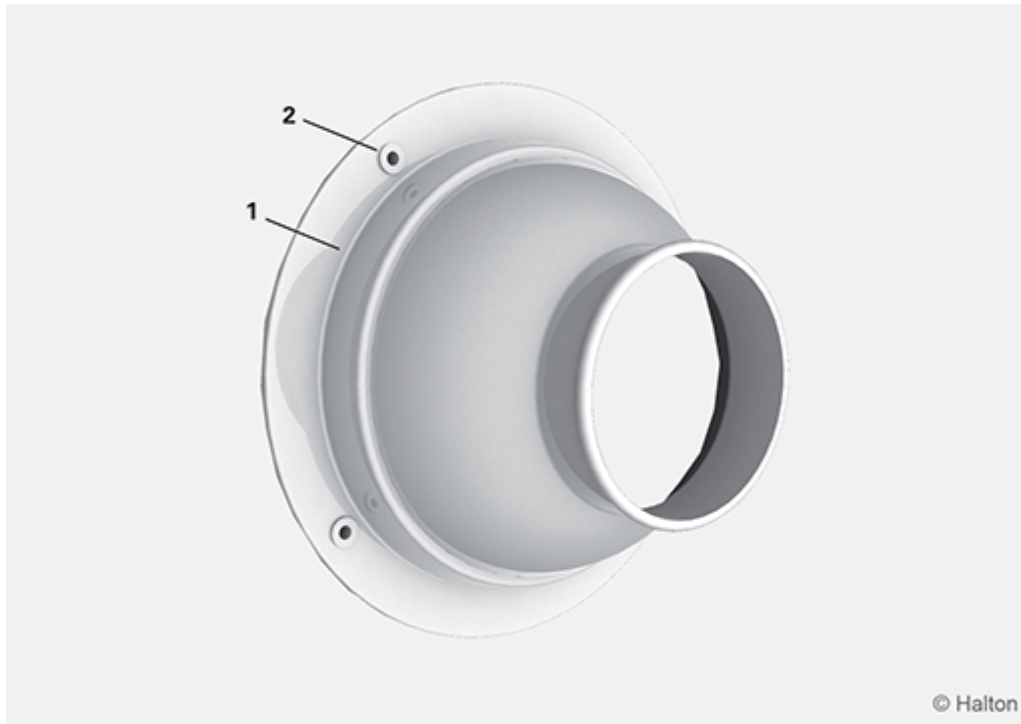


Supply air is supplied to the space at a high velocity.

The supply air mixes efficiently with the room air, with a high induction effect.
The supply air jet can be directed at an angle of 30° when the angle of roll is 360°.

Adjustment of the supply air pattern (Halton APL/A model) can be performed manually.

Installation



Code description

1. Frame
2. Fixings screws

The Halton APL jet nozzle diffuser is fastened to the wall with screws.
Screw the fixing screws into the pre-drilled holes in the front panel.

Note :

When a connection to the duct is required, an additional part can be supplied (Flange for Halton APL).

Servicing

Remove the diffuser by unscrewing the visible fixing screws.
Clean the parts by wiping them with a damp cloth.
Push the diffuser back into place and screw in the fixing screws.

Specification

The supply air jet is directional in an angle of 30°, when the angle roll is 360°.

The jet diffuser ensures the auto-balancing of the network due to its high pressure drop.

The jet diffuser ensures a good diffusion for large enclosure.

The jet nozzle is made of heavy aluminium.

The colour of the jet diffuser is either anodised or white (RAL 9003).

The jet diffuser includes a sealing gasket.

Directional adjustment is accurate, accomplished without the use of special tools, and is able to provide 70° of global rotation with minimal restriction of movement.

Order code

APL/S-D; FI-CO-ZT

S = Model

- A With damper
- N Standard (without damper)

D = Diameter of duct connection

150, 200, 250, 315, 355, 400, 450, 500

Other options and accessories

FI = Finishing

- AN Anodised
- PN Painted

CO = Colour

- SW Signal white (RAL 9003)

ZT = Tailored product

- N No
- Y Yes (ETO)

Code example

APL/A-150, FI=AN, ZT=N