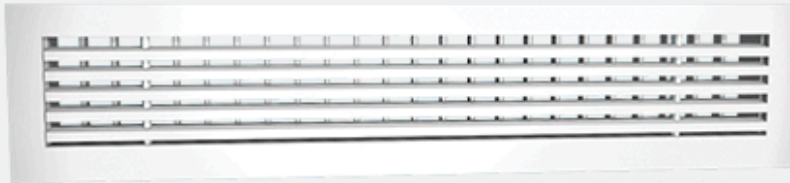


Halton AWE – Universal grille



© Halton

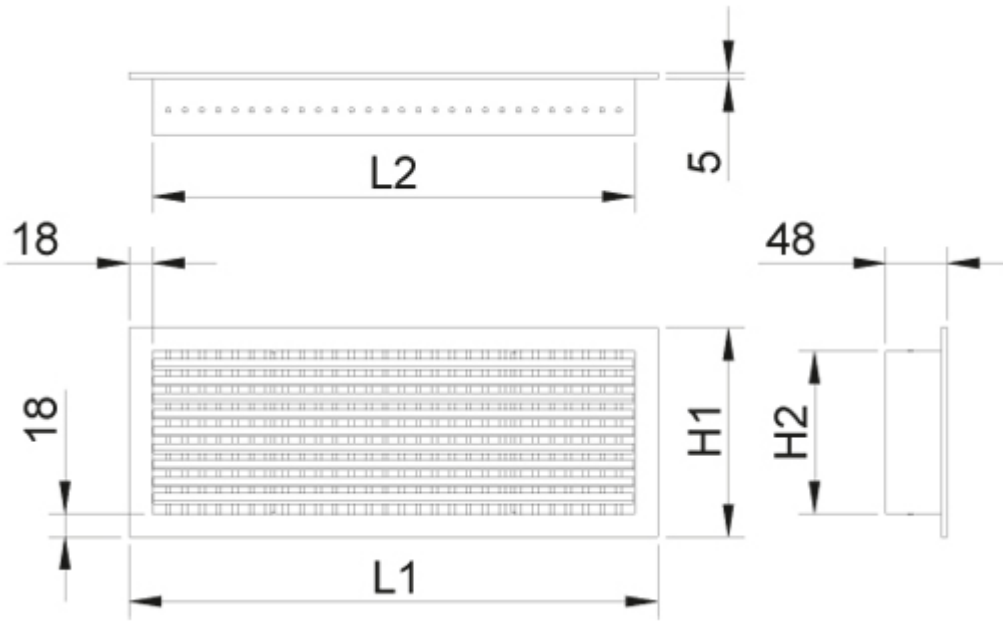
Overview

- Horizontal air supply, suitable also for exhaust
- Fixed front vanes, stable throw pattern with vertical 15° deflection
- Adjustable rear vanes for horizontal deflection of the air jet
- Aluminium construction with elegant outlook
- Detachable grille enables cleaning of the grille and ductwork
- Continuous grilles available with modular construction

Accessories

- Airflow adjustment damper
- Plenum options with measurement and adjustment functions
- Installation frame

Dimensions



LxH	L1	L2	H1	H2
200x50	212	176	62	26
200x100	212	176	112	76
300x100	312	276	112	76
400x100	412	376	112	76
500x100	512	476	112	76
600x100	612	576	112	76
800x100	812	776	112	76
1000x100	1012	976	112	76
600x150	612	576	162	126
800x150	812	776	162	126
1000x150	1012	976	162	126
1200x150	1212	1176	162	126
1500x150	1512	1476	162	126
600x200	612	576	212	176
800x200	812	776	212	176
1000x200	1012	976	212	176
1200x200	1212	1176	212	176
1500x200	1512	1476	212	176

With flow control damper OD total depth is 48 mm + 45 mm.

Special dimensions

In addition to standard sizes, other dimensions are available by special order. The maximum size is 1500 mm x 500 mm (LxH).

A modular construction is possible where the installation length is greater than 1500 mm. The maximum total length is 20 m.

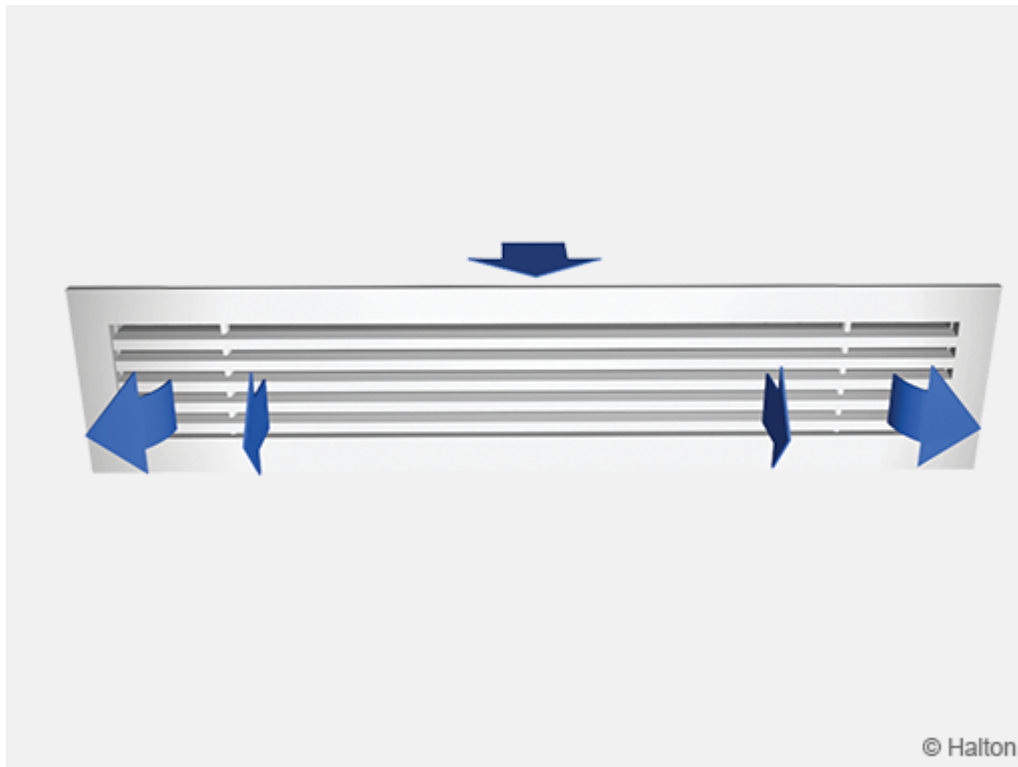
Material

Part	Material	Finishing	Note
Frame	Aluminium	Polyester-painted as white (RAL9003/30% gloss), anodised or mill finished	Special colours available
Vanes	Aluminium	Polyester-painted as white (RAL9003/30% gloss), anodised or mill finished	Special colours available
Installation frame	Galvanised steel	–	–
Plenum box / spigot	Galvanised steel	–	–

Accessories

Accessory	Code	Description
Plenum	PRL	For balancing & equalising the airflow and attenuating the duct noise
Plenum	BDR	Plenum for duct connection (with or without insulation)
Airflow measurement and adjustment unit	MSM	For supply installation
Sound attenuation	IN	Mineral wool for the BDR plenum box. Polyester fibre or mineral wool for the PRL plenum box.
Flow adjustment damper	OD	Aluminium opposite blade damper for airflow adjustment
Installation frame	IF	For installation without plenum
Concealed screw fastening	CC	For installation with BDR plenum or IF/AWE frame

Function



Supply air is supplied with vertical 15° angle deflection and with horizontal deflection (rear vanes) through the vanes into the space, mixing with room air in front of the grille.

The flow pattern is adjusted by changing the angle of the adjustable rear vanes.

Wall installation for horizontal supply or ceiling installation for vertical supply.

In wall installations, the recommended distance from the ceiling is 200 mm, when the supply air is directed to the ceiling.

The grille can also be used as an exhaust unit.

Installation

The grille is connected to the circular duct using either a Halton PRL balancing plenum or a Halton BDR plenum or alternatively directly to the rectangular duct using the IF/AWE installation frame.

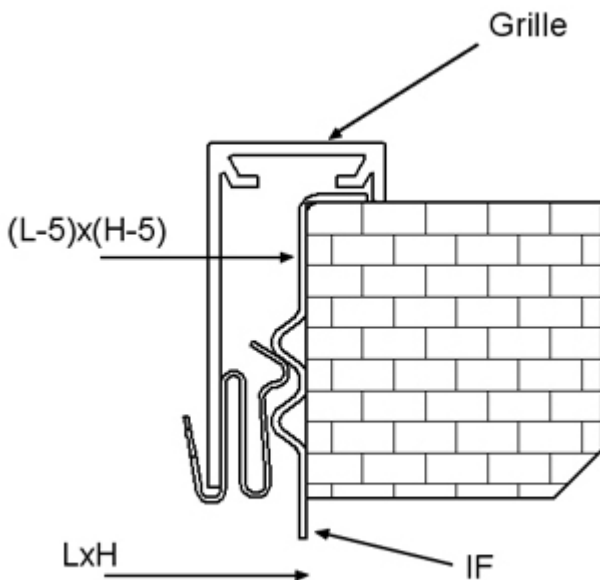


Installation frame, IF/AWE

Balancing plenum, PRL

Plenum box, BDR

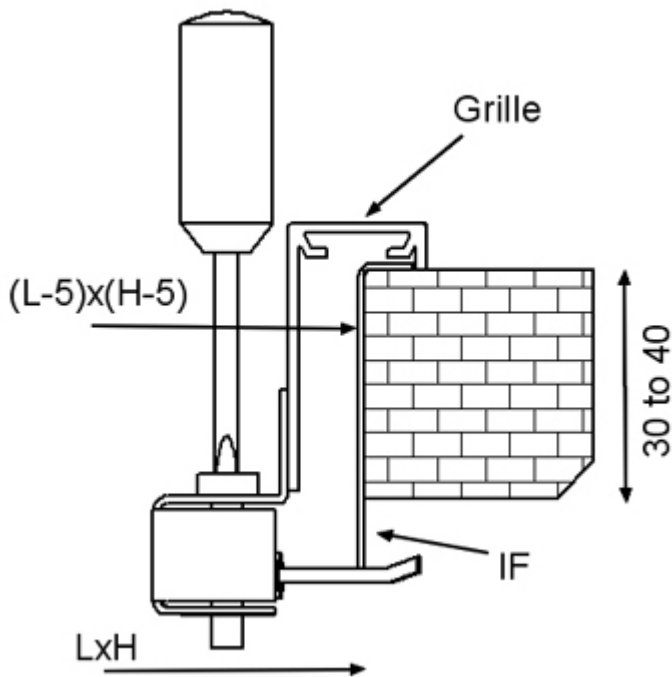
Clips fastening (standard)



The grilles are delivered with clips fastening as standard.

The clips fastening is used with Halton PRL, Halton BDR and IF/AWE.

Concealed screw fastening



Concealed screw fastening is possible when the grille is installed with an installation frame (IF/AWE) or with a Halton BDR plenum; not with a Halton PRL balancing plenum. Holes for screws are provided in Halton BDR.

For ceiling installation concealed screw fastening is recommended. Visible screw fastening is not possible due to the reduced width of the frame (18 mm).

The dimensions of the installation hole are LxH when installation frame is used, and (L-5)x(H-5) without installation frame.

Adjustment

In order to enable airflow adjustment and measurement of airflow rate it is recommended to connect the grille to Halton BDR plenum or Halton PRL balancing plenum equipped with the MSM module.

The supply flow rate is determined by using the measurement and adjustment module MSM. Detach the grille and pass the tubes and control spindle through the grille.

Measure the differential pressure with a manometer. The flow rate is calculated using the formula below.

$$q_v = k * \sqrt{\Delta p_m}$$

Adjust the airflow rate by rotating the control spindle until the desired setting is achieved. Lock the damper position with a screw.

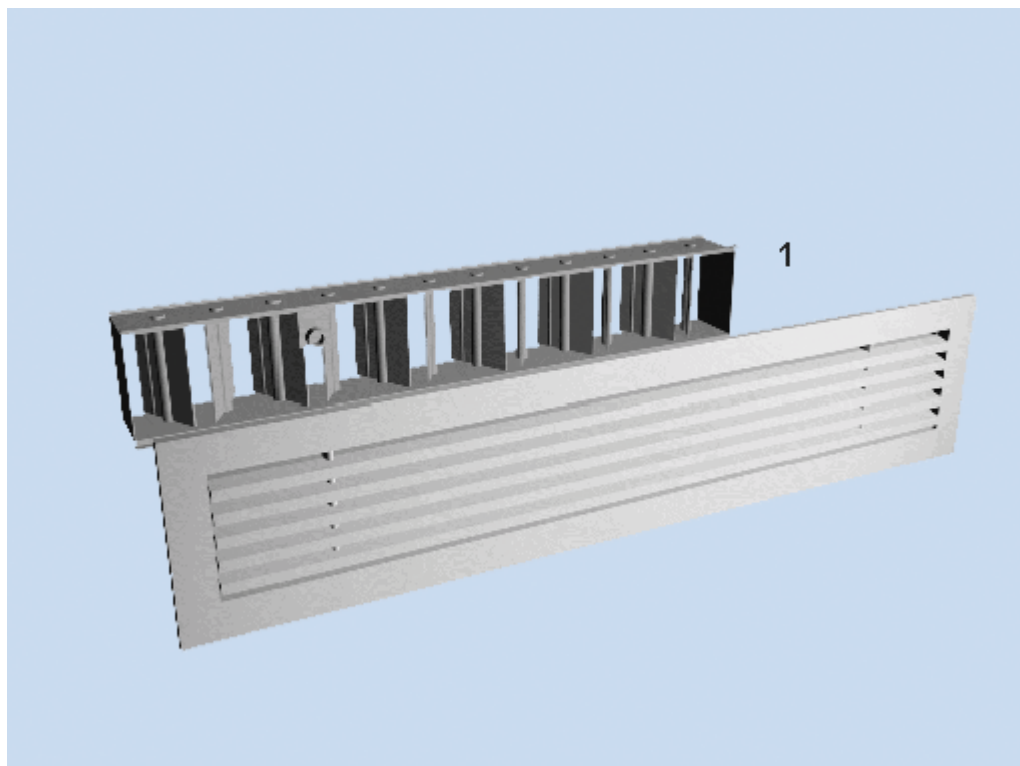
Replace the tubes and spindle into the plenum and replace the grille.

The k-factor for installations with different safety distances.

Halton BDR

NS	>6xD	min 3xD
100	6	7
125	10	12
160	19	22
200	28	32
250	49	51
315	77	83

Airflow adjustment damper OD



The airflow rate is adjusted by turning the damper blades behind the grille with a screwdriver. The measurement is carried out when grille is installed.

Servicing

Remove the grille by gently drawing it out by the frame. Use a screwdriver if necessary. Clean the parts by wiping them with a damp cloth.

Push the grille back into place so that the clips lock (or fix by screwing on the concealed screws).

Option: with balancing plenum PRL or BDR and MSM

Remove the measurement and adjustment module by gently pulling the shaft (NB not the control spindle or measurement tubes!).

Wipe the parts with a damp cloth, instead of immersing in water.

Remount the measurement and adjustment module by pushing in the shaft until the module meets the stopper.

Push the grille back into place so that the clips lock.

Specification

The grille has horizontal fixed vanes with a 15° angle deflection and vertical adjustable rear vanes, and an 18 mm wide flat frame, anodised or epoxy-painted with a white (RAL 9003) colour. Flow pattern is adjustable by rear vanes.

Alternative 1

The grille can be connected to the ductwork using a plenum, with mineral wool as sound attenuation material.

Alternative 2

The grille can be connected to the ductwork using a balancing plenum, which comprises sound attenuation material of mineral wool or polyester fibre with a washable surface.

The plenum has an airflow measurement and adjustment unit.

The grille is removable, in order to provide access to the measurement and adjustment module in the plenum.

Order Code

AWE/L-H; FS-FI-CO-ZT

L = Length (mm)

200, +1, ..., 20000

H = Height (mm)

50, +1, ..., 500

Other options and accessories

FS = Fastening

- CL Clips
- CC Concealed screw fastening

FI = Finishing

- AN Anodised
- MF Mill finished
- PN Painted

CO = Colour

- SW Signal white (RAL 9003)
- X Special colour (RAL xxxx)
- N No painting

ZT = Tailored product

- N No
- Y Yes (ETO)

Sub products

- BDR Plenum
- PRL Plenum
- IF Installation frame (Grilles)
- OD Opposed blade damper (Grilles)

Code example

AWE-200-50, FS=CL, FI=AN, CO=N, ZT=N