

Halton IAO – Jet nozzle diffuser



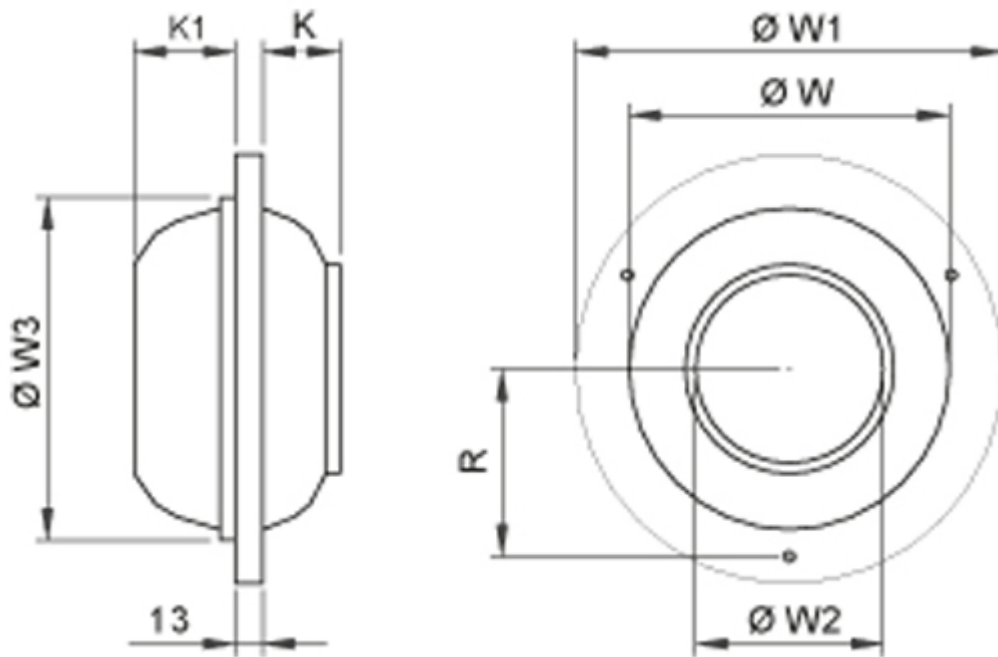
Overview

- Specially designed for large enclosures
- Long throw pattern with low velocity reduction
- Directional air pattern; maximum deflection angle of 30° in all directions
- Circular duct connection with rubber gasket
- Corrosion resistant plastic material

Product models

- Model with adjustment damper
- Model with reversible nozzle (compact / wide jet)

Dimensions



NS	ØW	ØW1	ØW2	ØW3	K	K1	R
75	76	127	37	86	19	16	51
100	102	152	51	112	27	24	63.5
150	152	203	89	162	37	41	89
200	203	254	127	213	50	60	114.5

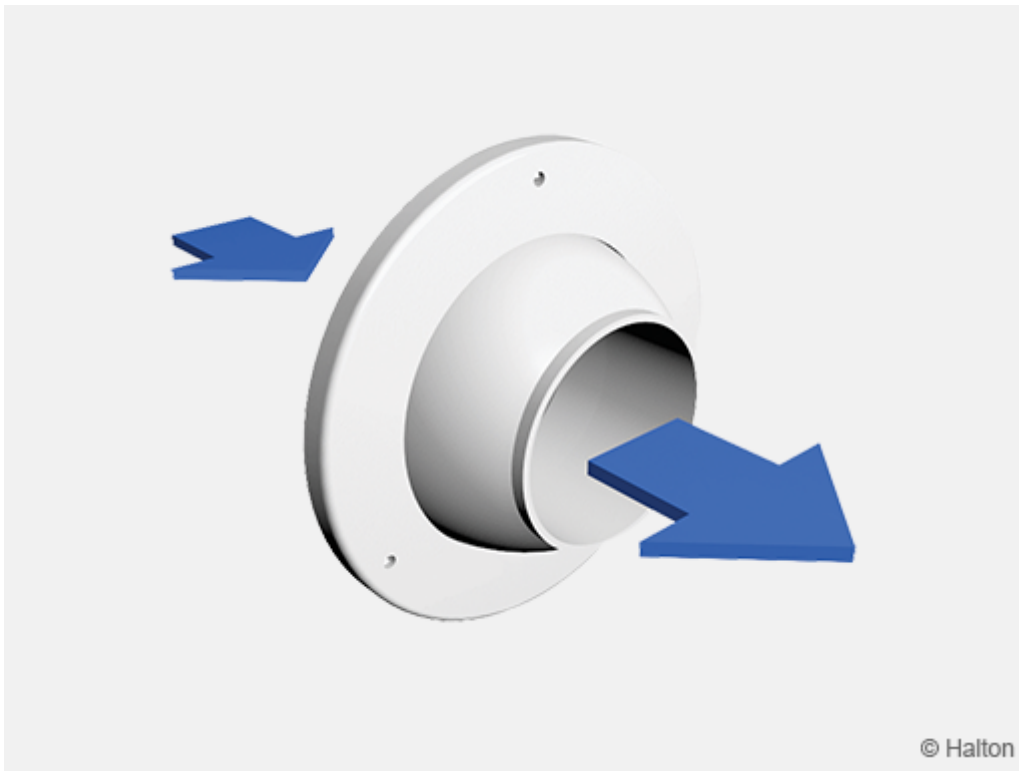
Material

Part	Material	Finishing
Circular frame, Ball joint	Thermo Plastic, Medium Impact Flame Retardant grade ABS 94V-0 rating per UL standard 94	White (Pearl)
Rear flange	Aluminium	Anodised
Gasket	Open cell polyester foam	–

Product models

Product model	Code	Description
IAO with annular damper	IAO/A	Adjustable airflow rate
Reversible IAO model	IAO/R	The discharge air pattern can be reversed from an efficient and accurate compact jet to a high aspiration and draftless diffusion air distributor.

Function



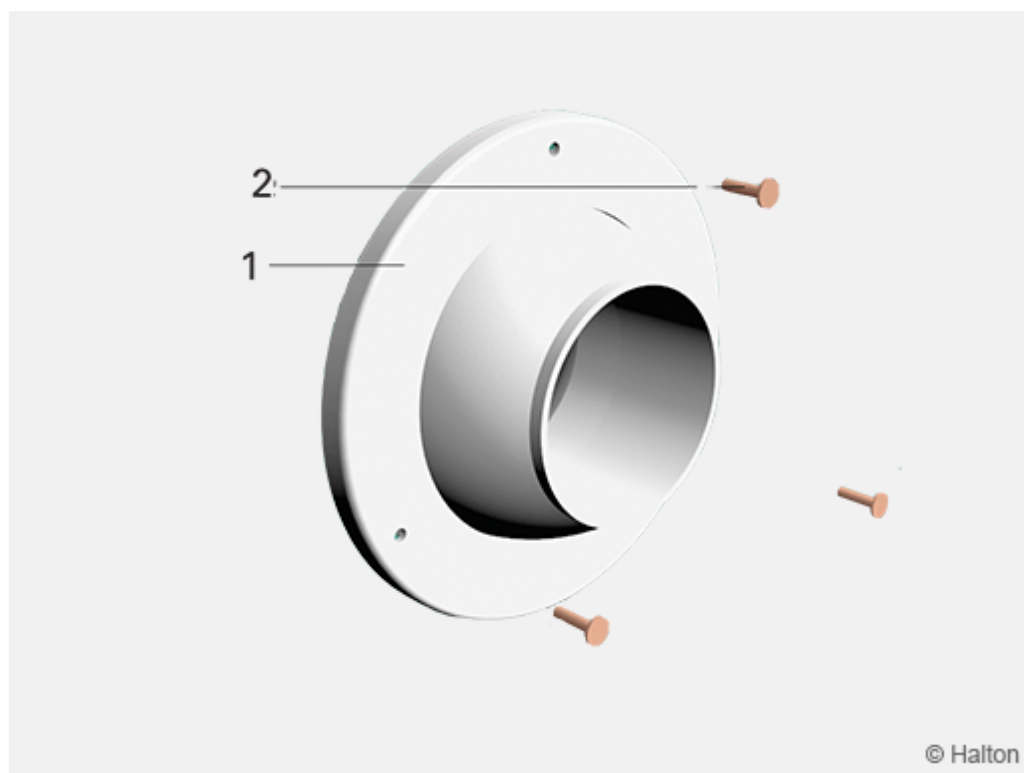
Air is supplied into the space at a high velocity.

The supply air mixes efficiently with the room air, with a high induction effect.

The supply air jet can be directed at an angle of 30° when the angle of roll is 360°.

The adjustment of the supply air pattern (model IAO/R) from radial jet position to compact jet position can be performed manually.

Installation



Key

1. Frame
2. Fixing screws

The Halton IAO jet nozzle diffuser is fastened to the duct or wall with screws. Screw in the fixing screws in pre-drilled holes in the front panel.

Dimensions of opening

NS	ØW3
75	86
100	112
150	162
200	213

Servicing

Remove the diffuser by unscrewing the visible fixing screws.

Clean the parts by wiping them with a damp cloth.

Push the diffuser back into place and screw in the fixing screws.

Specification

The circular flange of the front panel and the ball joint are made of plastic with a high fire resistance rating in accordance with the UL94 standard.

The colour of the diffuser is white.
The rear flange is made of anodised aluminium.

The Halton IAO diffuser is be equipped with a sealing gasket.

It is possible to direct the supply air jet at an angle of 30° when the angle of roll is 360°.

The jet nozzle diffuser has a sufficient pressure drop for a self-balancing system with several units.

Order code

IAO/S-D, CO, ZT

S = Model

- N Standard
- A Adjustable (with damper)
- R Reversible nozzle (Compact/wide jet)

D = Connection size (mm)

75, 100, 150, 200

Other options and accessories

CO = Colour

- W White (RAL 9010)

ZT = Tailored product

- N No
- Y Yes (ETO)

Code example

IAO/N-75, CO=W, ZT=N