

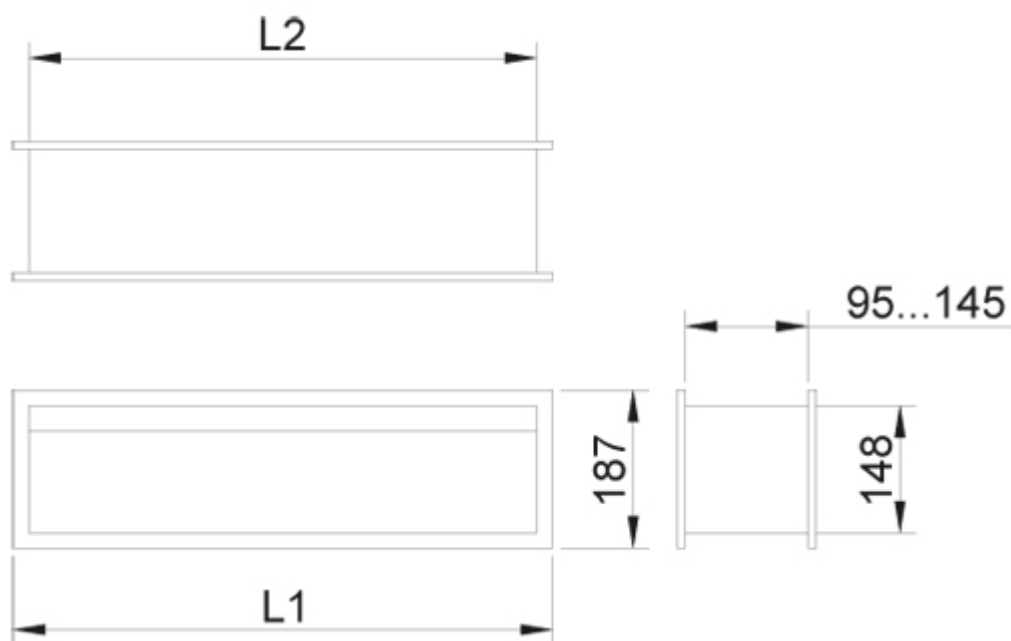
Halton TVB – Transfer unit



Overview

- Transfer unit for partition wall installation
- Adjustable casing depth adapts to the thickness of the wall
- Large free area, minimal pressure drop
- Detachable front panel allows cleaning of the unit
- Effective sound attenuation; reduced noise propagation between the adjacent rooms
- No visibility through the transfer unit.

Dimensions and weight

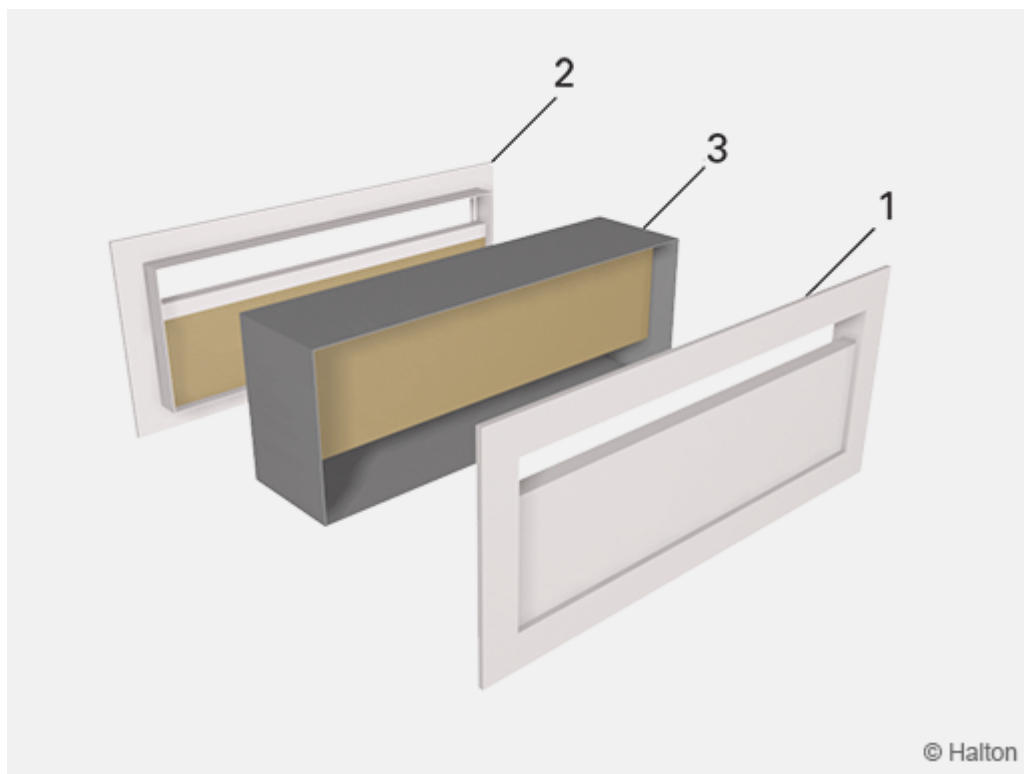


LxH	L1	L2
400×150	437	397
500×150	537	497
600×150	637	597
700×150	737	697
800×150	837	797
900×150	937	897
1000×150	1037	997

Weight (kg)

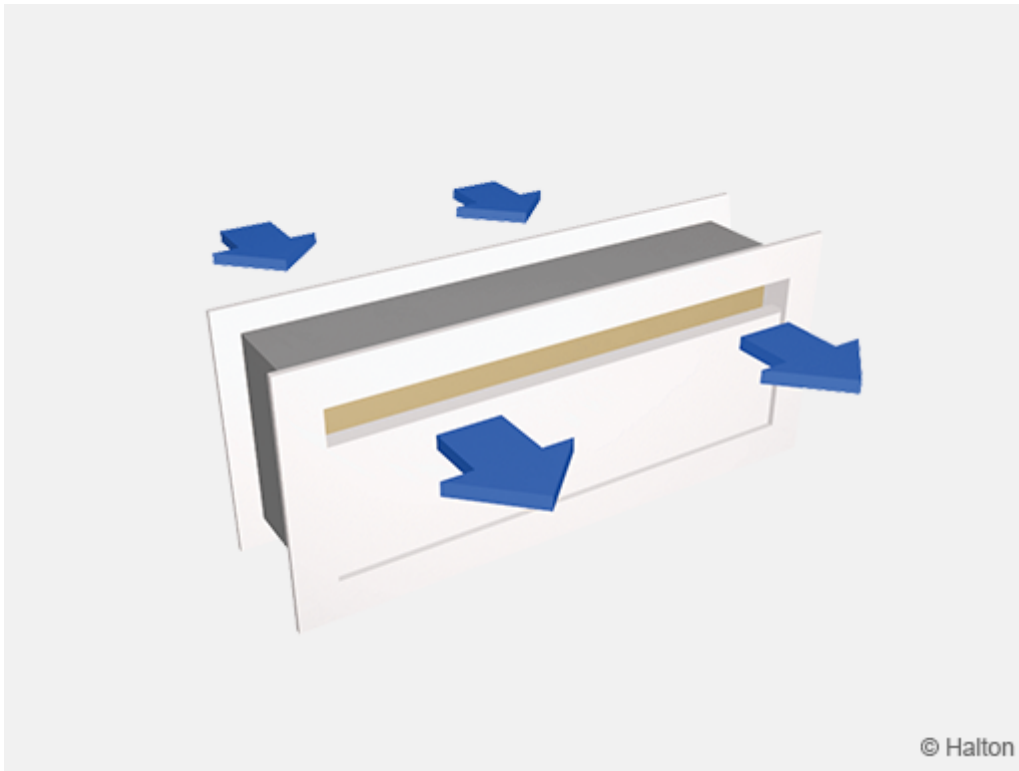
LxH	Weight
400×150	2.16
500×150	2.68
600×150	3.22
700×150	3.72
800×150	4.28
900×150	4.72
1000×150	5.20

Material



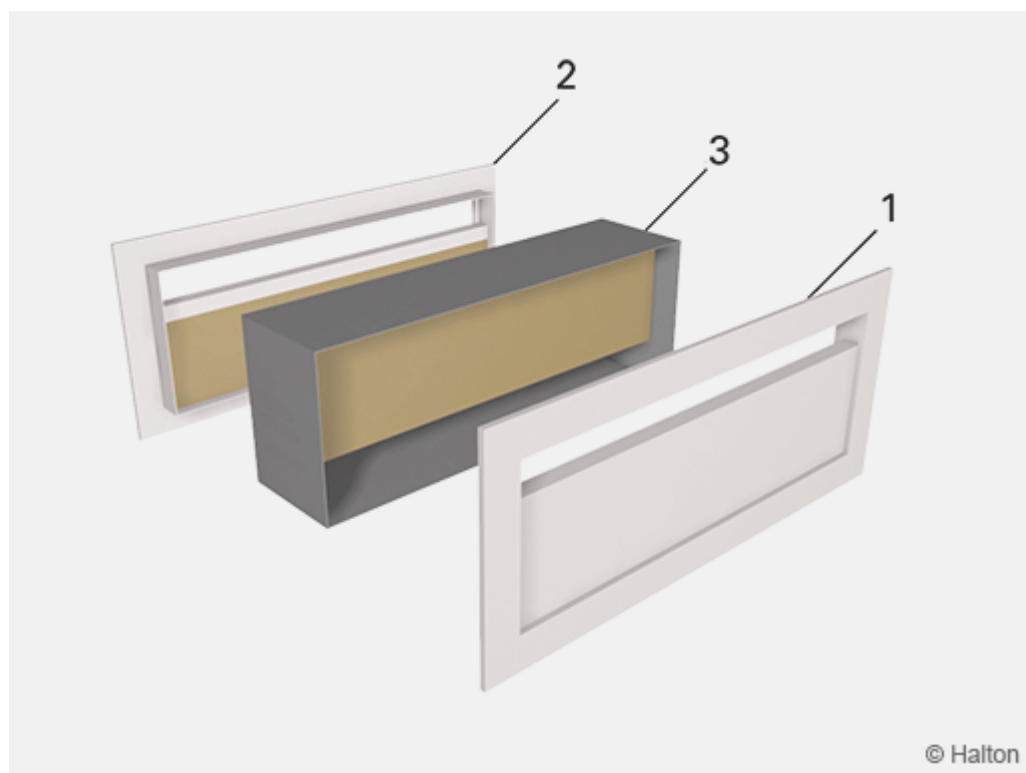
Part	Material	Note
Casing (3)	Galvanised steel	–
Front panel (1, 2)	Aluminium	–
Attenuation material	Mineral wool	Cutting edges protected
Finishing	Front panels epoxy-painted, white (RAL 9003 / 30%)	Special colours available

Function



Air moves to adjoining rooms through the transfer unit due to pressure difference.
The unit attenuates sound and reduces air-borne noise between rooms.
Air flows into the room through a rectangular slot on the front panel.
The transfer unit prevents vision from room to room.

Installation



Code description

- 1, 2 Front panels
- 3. Casing

The transfer unit is installed into an opening made in a wall or door.

The dimensions for installation hole are:

Descripyion	TVB
Installation hole	(L2+5) x 155 mm
Wall thickness	95... 145 mm

Servicing

Detach the front panels for cleaning.

Clean the unit using a vacuum cleaner.

Wipe the front panels with a damp cloth instead of immersing into water.

Specification

The transfer unit has a sound attenuating casing with two front panels for installation flush to the

wall surface.

The transfer unit is manufactured from galvanised steel and aluminium with a white (RAL 9003) colour.

Sound attenuation material is coated mineral wool.

The depth of the casing is adjustable (95 to 145 mm) according to the thickness of the wall.

Order code

TVB-W-H; CO-ZT

W = Width (mm)

400, 500, 600, 700, 800, 900, 1000

H = Height (mm)

150

Other options and accessories

CO = Colour

SW Signal white (RAL 9003)

X Special colour (RAL xxxx)

ZT = Tailored product

N No

Y Yes (ETO)

Code example

TVB-400-150, CO=SW, ZT=N