

Halton TVC – Transfer grille



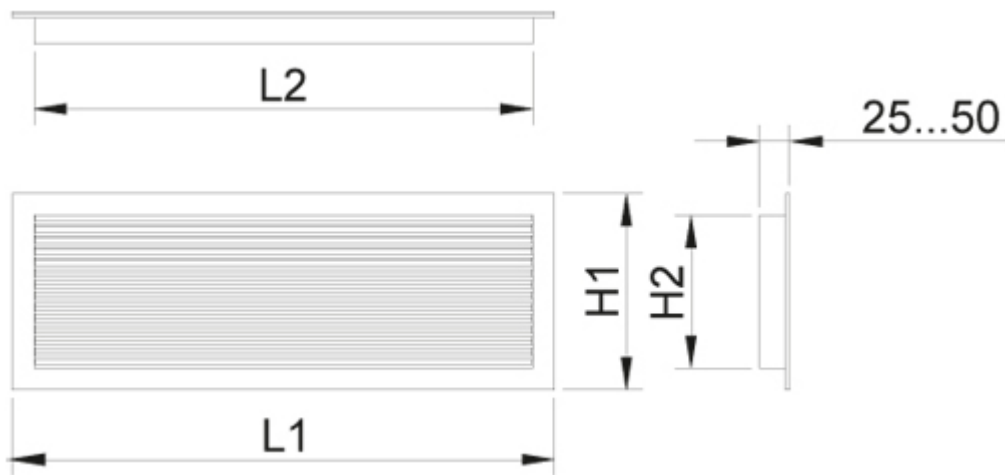
Overview

- Transfer grille for partition wall and door installations
- Adjustable casing depth adapts to the thickness of the wall/door
- Large free area, minimal pressure drop
- No sound attenuation
- No visibility through the transfer grille

Accessories

- Opposite frame for installation depths 25...50 mm

Dimensions



LxH [mm]	L1 [mm]	L2 [mm]	H1 [mm]	H2 [mm]
200×100	226	176	126	76
300×100	326	276	126	76
300×150	326	276	176	126
300×200	326	276	226	176
400×200	426	376	226	176
400×300	426	376	326	276
500×200	526	476	226	176
500×300	526	476	326	276
600×200	626	576	226	176
600×300	626	576	326	276
600×400	626	576	426	376
800×400	826	776	426	376

In addition to these standard sizes, other dimensions can be specially ordered. The maximum dimensions are 1000×600 mm.

Dimensions for installation holes are (L-10) x (H-10).

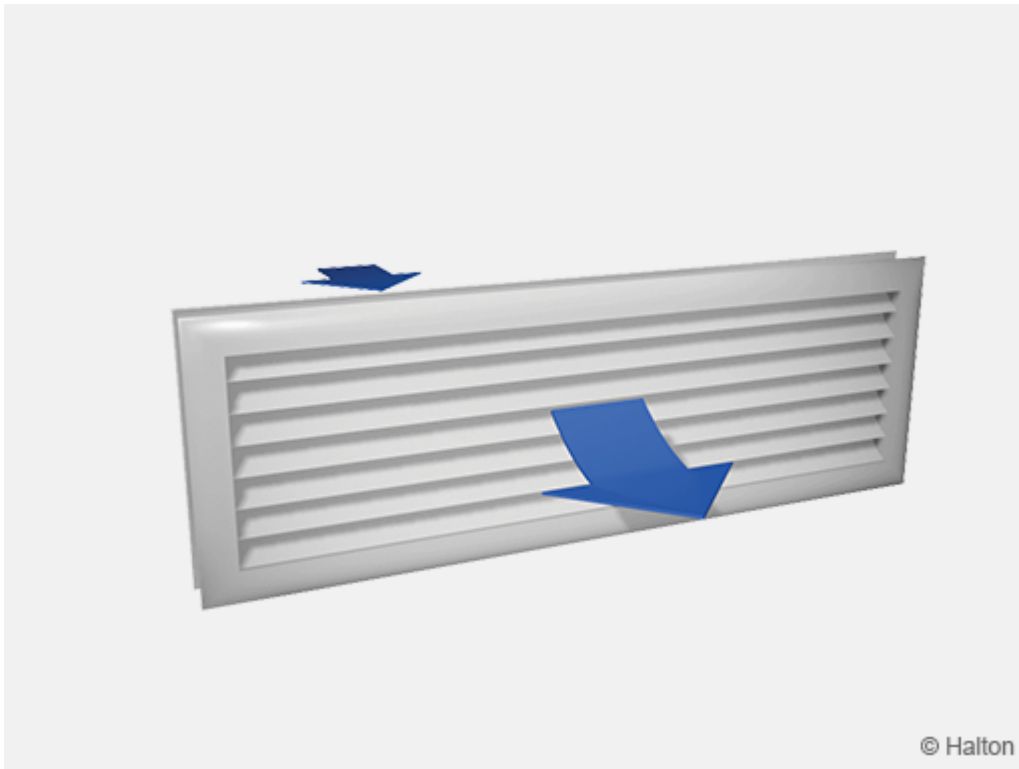
Material

Part	Material	Finishing	Note
Frame	Aluminium	Anodised, mill finished or polyester-painted white (RAL 9003/30% gloss)	Special colours and epoxy-painting (100%) available
Vanes	Aluminium	Anodised, mill finished or polyester-painted/white (RAL 9003/30% gloss)	Special colours and epoxy-painting (100%) available
Opposite frame	Aluminium	–	Accessory

Accessories

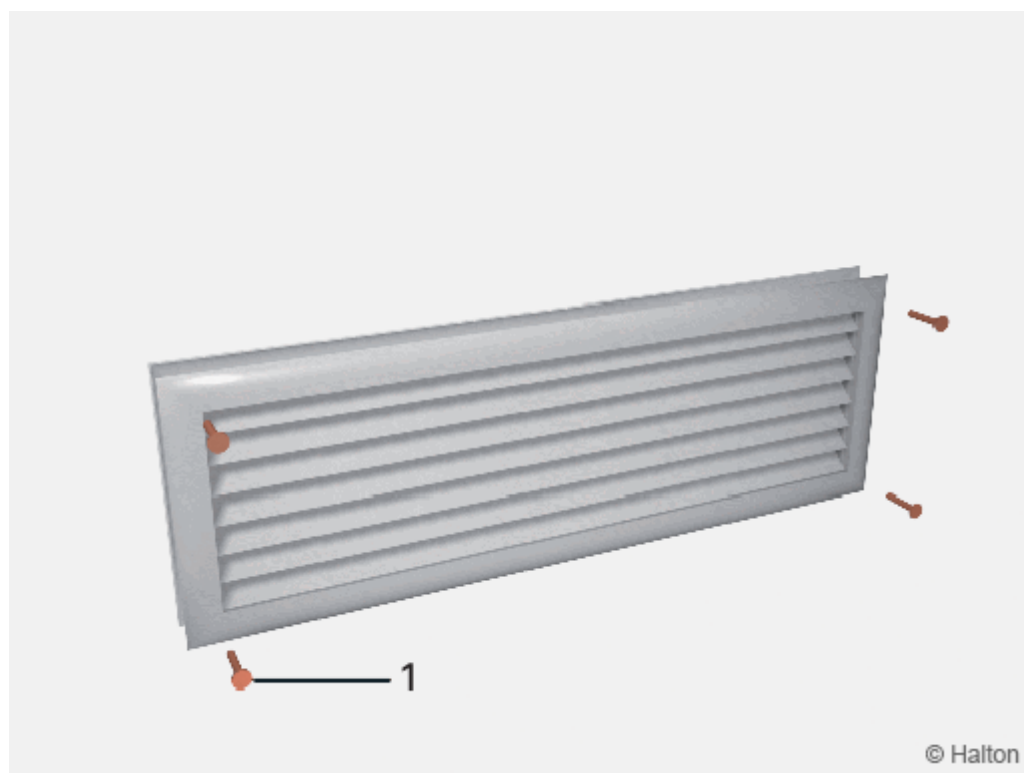
Accessory	Code	Description
Opposite frame	OF	Used in installation depths 25...50 mm

Function



Air moves to adjoining rooms through the transfer grille due to pressure difference. The transfer unit does not permit vision from room to room.

Installation



Halton TVC transfer grilles are screwed (1) either to the wall or door, on both sides (2 x TVC, if required).

If necessary, a rectangular duct can be installed between the grilles.

The Halton TVC transfer grille can also be used together with an opposite frame accessory (OF) to complete transfer unit for 25 to 50 mm thick doors or partition walls. Both the Halton TVC grille and opposite frame are screwed to the wall or door.

For the size of the installation hole, see section Dimensions (L-10)x(H-10).

Servicing

Detach the grille for cleaning.

Wipe the grille with a damp cloth instead of immersing in water.

Specification

The transfer grille consists of a frame with V-shaped vanes and opposite side closure.

The transfer unit is manufactured from profiled aluminium with a white (RAL 9003) colour. The depth of the casing is adjustable (25 to 50mm) according to the thickness of the door or partition wall.

Order code

TVC/W-H; FI-CO-ZT

W = Width [mm]

200, +50, ..., 800

H = Height [mm]

100, +50, ..., 400

Other options and accessories

FI = Finishing

AN Anodised

PN Painted

MF Mill finished

CO = Colour

SW White (RAL 9003)

X Special colour (RAL xxxx)

N No painting

AC = Accessories

OF Opposite frame

ZT = Tailored product

N No

Y Yes (ETO)

Order code example

TVC-200-100, FI=AN, CO=N, ZT=N