

# Halton Vita VSG – Exhaust grille



## Overview

Halton Vita VSG is an exhaust grille for all Halton Vita OR Space and Halton Vita OR Zone solutions. It is an alternative to the Halton Vita VSC exhaust unit in designs where more flexibility in the placement of the exhaust is needed.

## Application areas

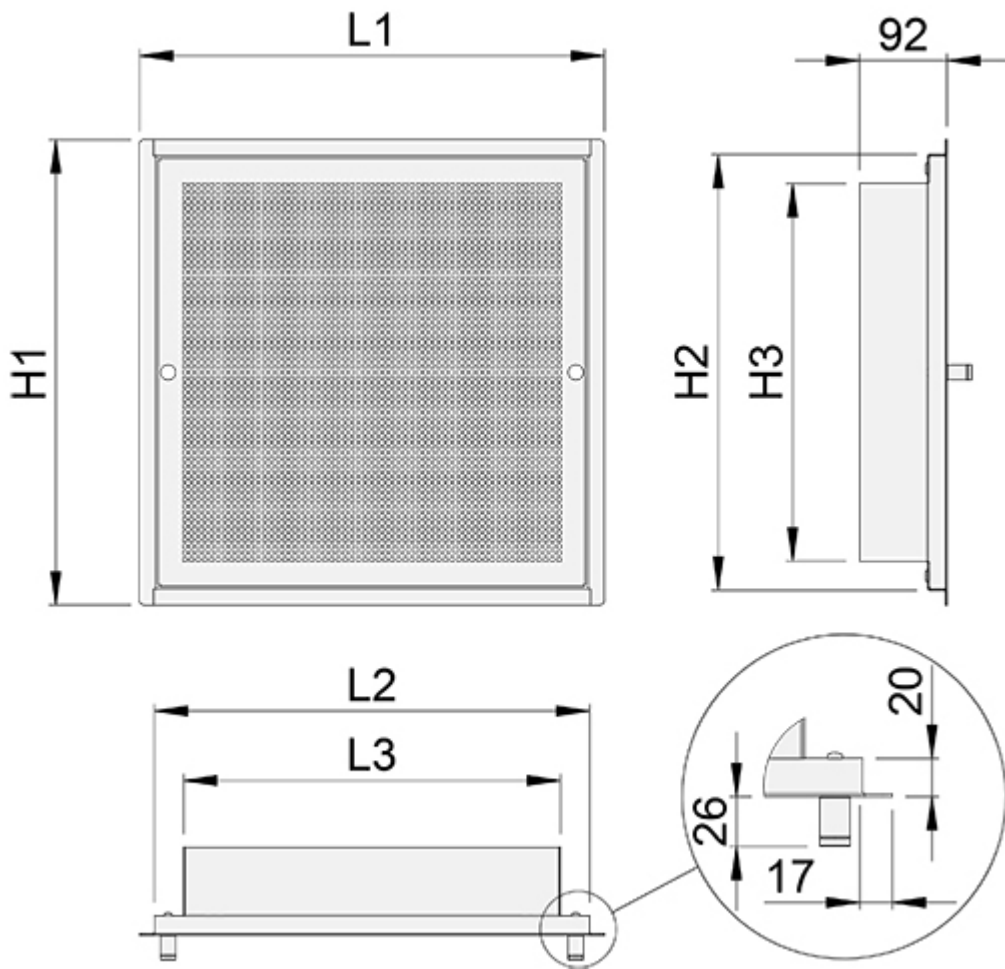
- Operating rooms in hospitals
  - Halton Vita OR Space 5 solution
  - Halton Vita OR Space 7 solution

## Key features

- Stainless steel exhaust air grilles equipped with a metal mesh fluff separator
- The stainless steel front panel is easy to remove and clean; can be sterilised in an autoclave

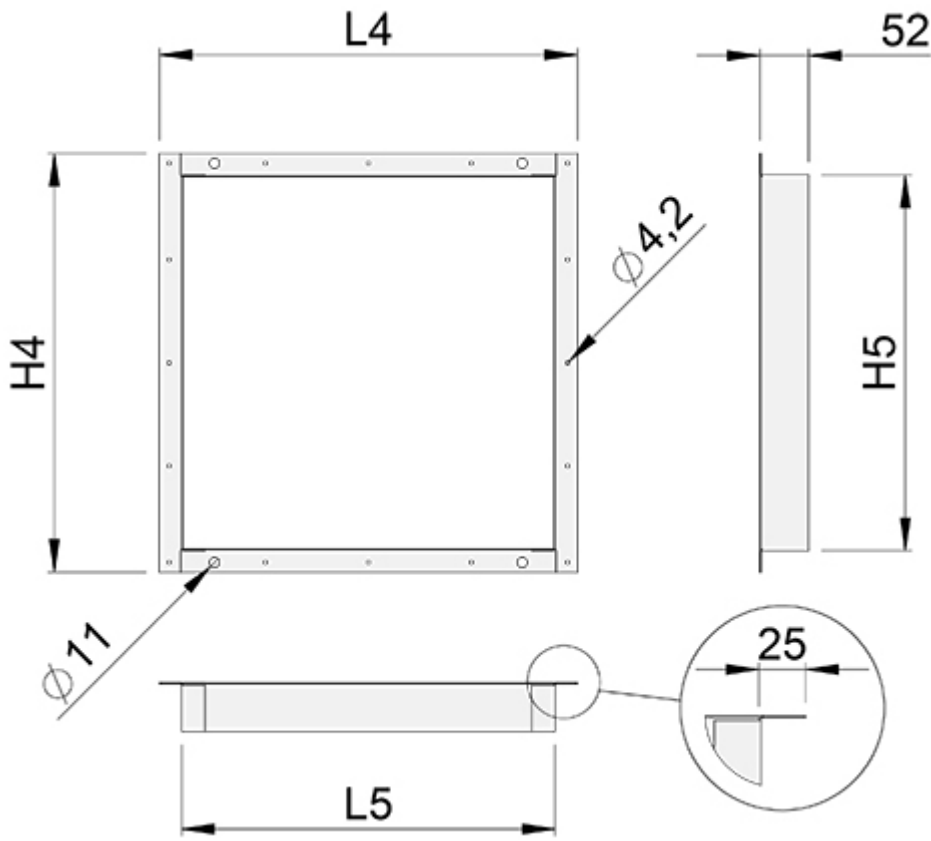
## Dimensions and weight

The dimensions for the six exhaust grille sizes are detailed in the table.



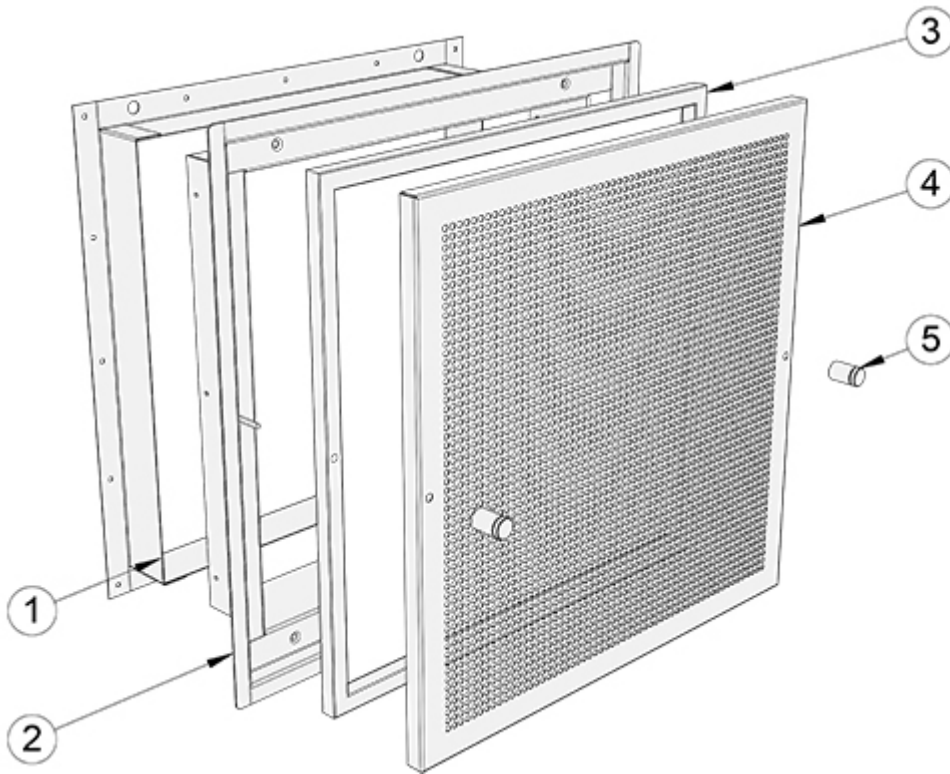
NS	L1	L2	L3	H1	H2	H3	Weight (kg)
400×200	487	456	395	287	256	195	6.5
400×400	487	456	395	487	456	395	9.0
500×250	587	556	495	337	306	245	8.0
500×500	587	556	495	587	556	495	11.0
600×250	687	656	595	337	306	245	9.0
600×600	687	656	595	687	656	595	13.5

## Halton Vita VSG frame dimensions



NS	L4	L5	H4	H5
400x200	447	399	247	201
400x400	447	399	447	401
500x250	547	499	297	251
500x500	547	499	547	501
600x250	647	599	297	251
600x600	647	599	647	601

# Material

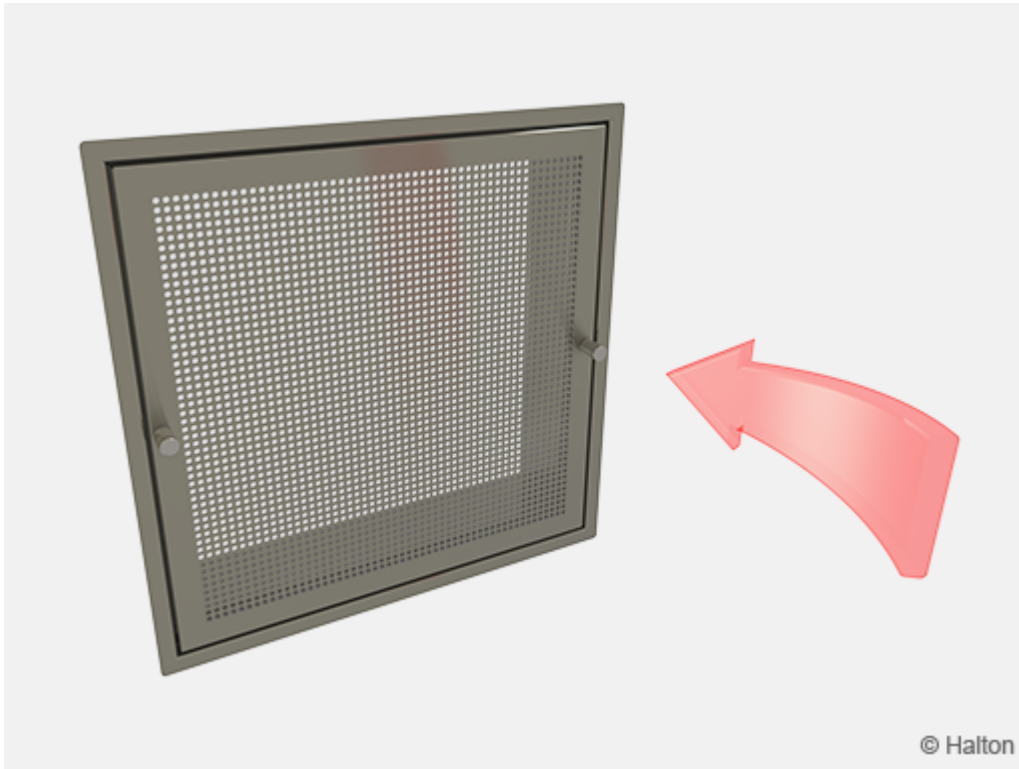


No.	Part	Material
1	Fixing frame	Galvanised steel
2	Exhaust grille frame	Stainless steel (AISI 316L)
3	Metal mesh fluff separator	Stainless steel (AISI 316L)
4	Front panel	Stainless steel (AISI 316L)
5	Fixing knob	Stainless steel (AISI 316L)

# Function

Air is exhausted from the space through the grille and the metal mesh fluff separator.

The purpose of the separator is to prevent fibre particles originating from the clothing of the personel and other operational textiles from entering the ventilation system.



## Filters

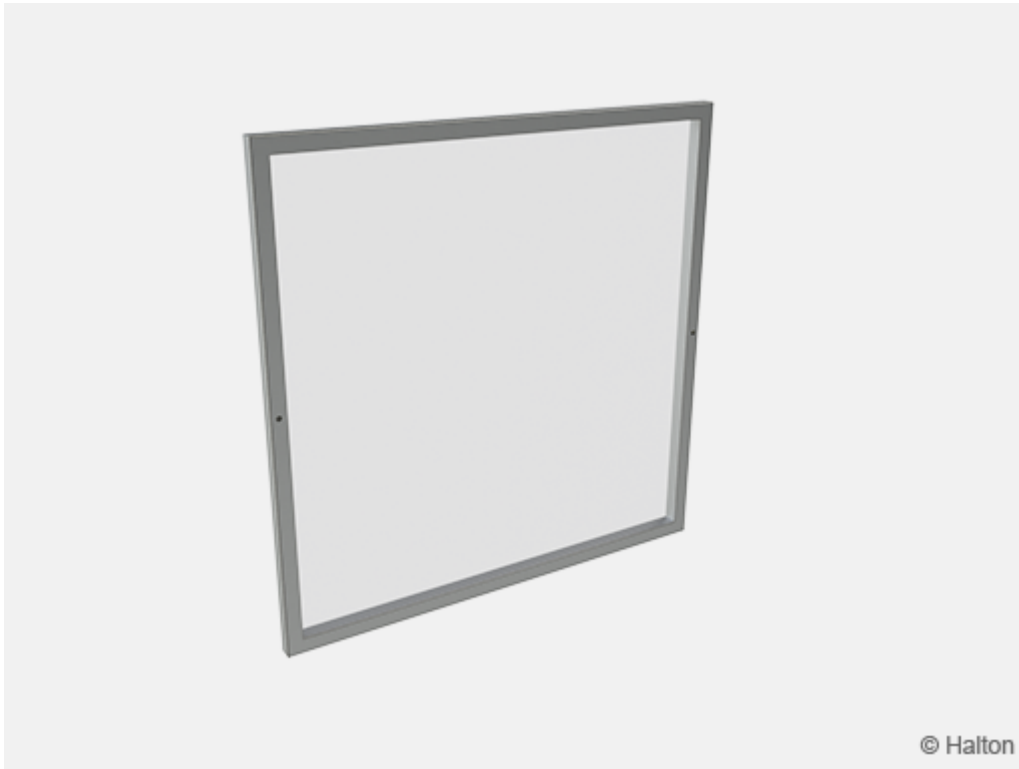
In the standard model, the exhaust grilles are equipped with stainless steel metal mesh fluff separators. The standard mesh size is 0.2 mm.

There are several exhaust grille options:

- Grilles with or without metal mesh filter
- Two grilles (bottom and top), or one grille (bottom)
- Painted or not painted duct

### Note

Although the duct is painted it has to be covered with a wall construction.

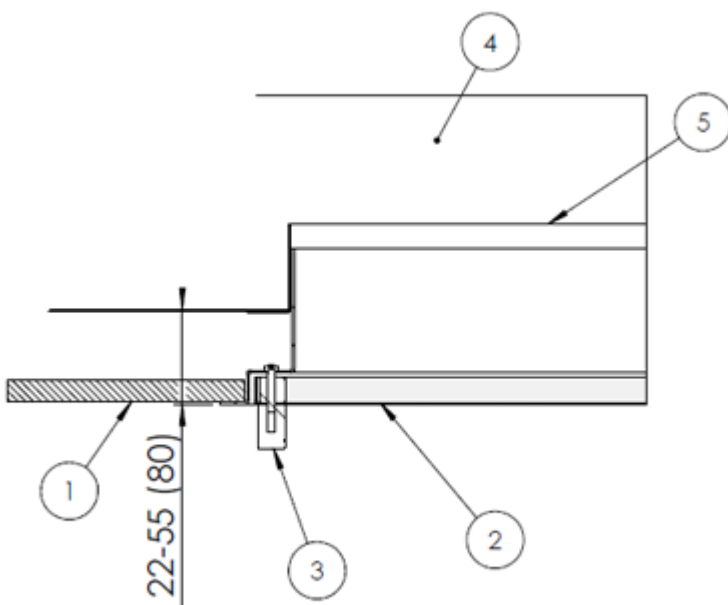


**Fig.1.** Metal mesh fluff separator

## Installation

The exhaust grille is connected to the exhaust air ductwork. Wall or ceiling installations are possible.

The installation is typically performed by the ventilation contractor.



**Key:**

1. Wall construction
2. Exhaust grille
3. Fixing knob
4. Air duct
5. L-shape fixing bracket

**Note:** See the sizes for the required installation holes from the Dimensions section.

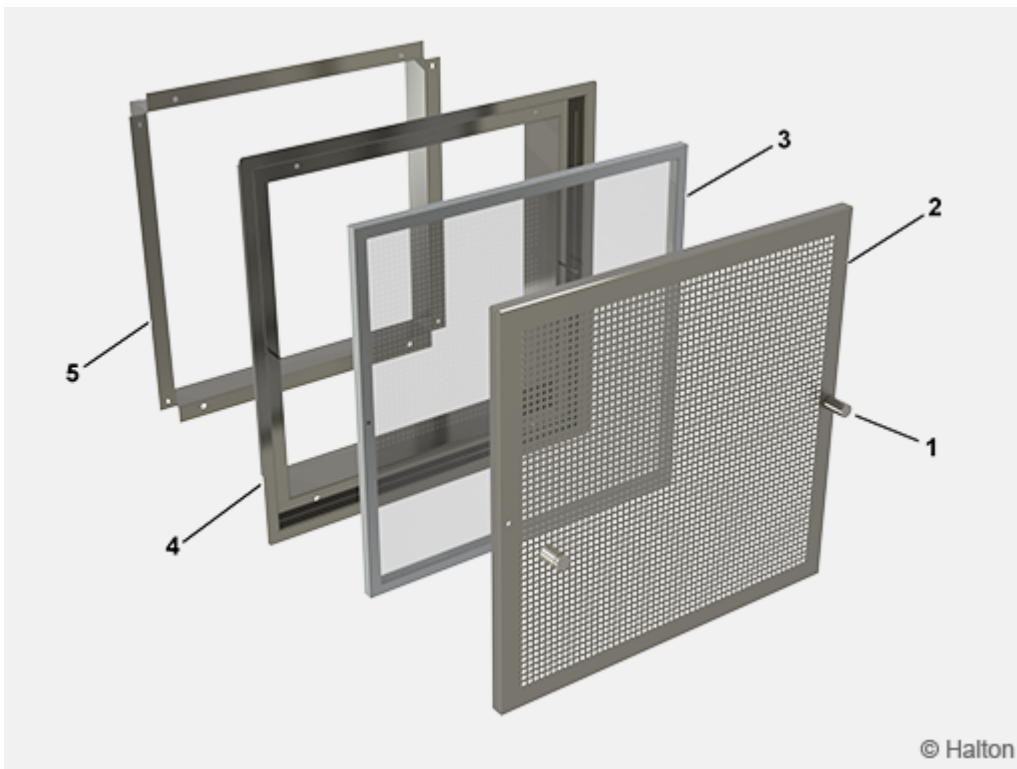
## Servicing

Detach the perforated grille (2) by opening the screws (1). Wipe the grille with a damp cloth. Do not immerse in water.

The grille can also be sterilised in an autoclave ( $t < 130^{\circ}$ ).

It is recommended to vacuum the metal mesh fluff separator (3) behind the grille regularly. It does not need to be removed for vacuuming.

Reassemble the grille and the screws.



### Key:

1. Screw (2 pcs)
2. Exhaust grille
3. Metal mesh fluff separator
4. Frame for grille
5. L-shape fixing bracket

# Order Code

## VSG-W-H, AF-ZT

**W = Width (mm)**

400, 500, 600

**H = Height (mm)**

200, 250, 400, 500, 600

## Other options and accessories

**AF = Air filter**

A Metal mesh fluff separator (stainless steel, AISI 316)

N No filter

**ZT = Tailored product**

N No

Y Yes (ETO)

## Code example

VSG-400-200,AF=A, ZT=N