

WR 水清洗控制柜



概述

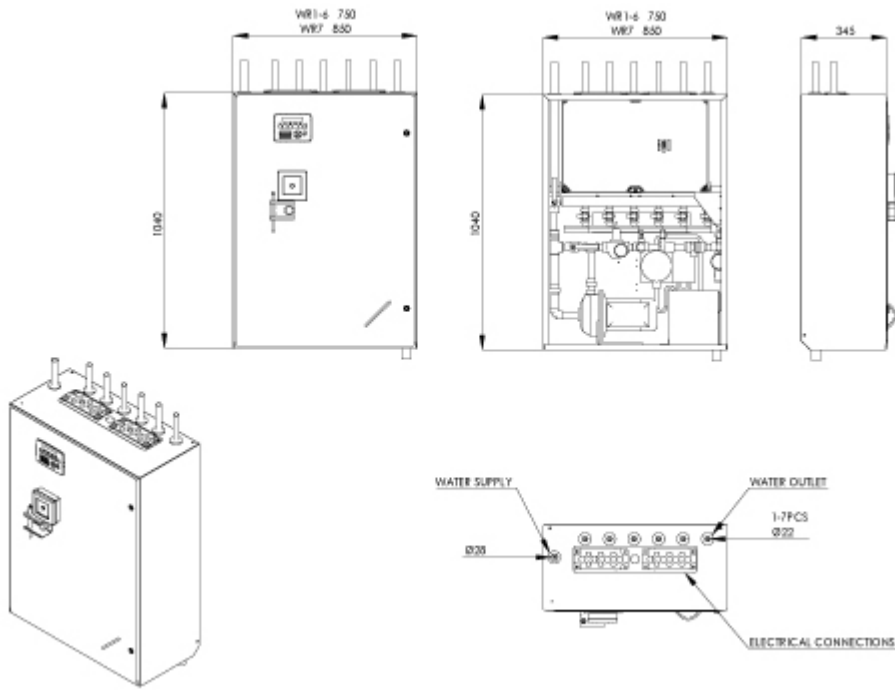
- 结构紧凑
- 全自动控制系统
- 所有控制装置均位于柜门处，便于操控
- 专为厨房而设计
- 不锈钢
- 连续焊接结构
- 控制 1 – 7 组烟罩
- 符合 USPHS 设计和制造标准

规格

浩盾 WR 水清洗控制柜用于控制 KWH 和 KWT 型浩盾厨房烟罩的清洗循环。在未将过滤器和紫外线灯（如果采用了紫外线技术）从烟罩上卸下的情况下，水清洗控制柜可自动洗掉其上的油脂。采用了全自动且可编程的清洗循环，适用于各种操作条件。必要时，也可手动控制清洗过程。

Dimensions and Weight

General WR control cabinet drawings



Construction

The control cabinet comprises main body, washing pipes, enclosure, booster and detergent pumps. All parts of the main body are manufactured from polished stainless steel EN 1.4301 (AISI304). Control interface is located on the cabinet door.

Weight

WR control cabinet weights 75 – 88 kg depending on the model.

Material

PART	MATERIAL	NOTE
Main body	Stainless steel EN 1.4301 (AISI304)*	Option: EN 1.4404 (AISI316L)
Connection pipes	Copper	–
Enclosures	Plastics	–
Booster pump	Painted steel	1-phase, 230 VAC
Soap pump	Plastics	1-phase, 230 VAC

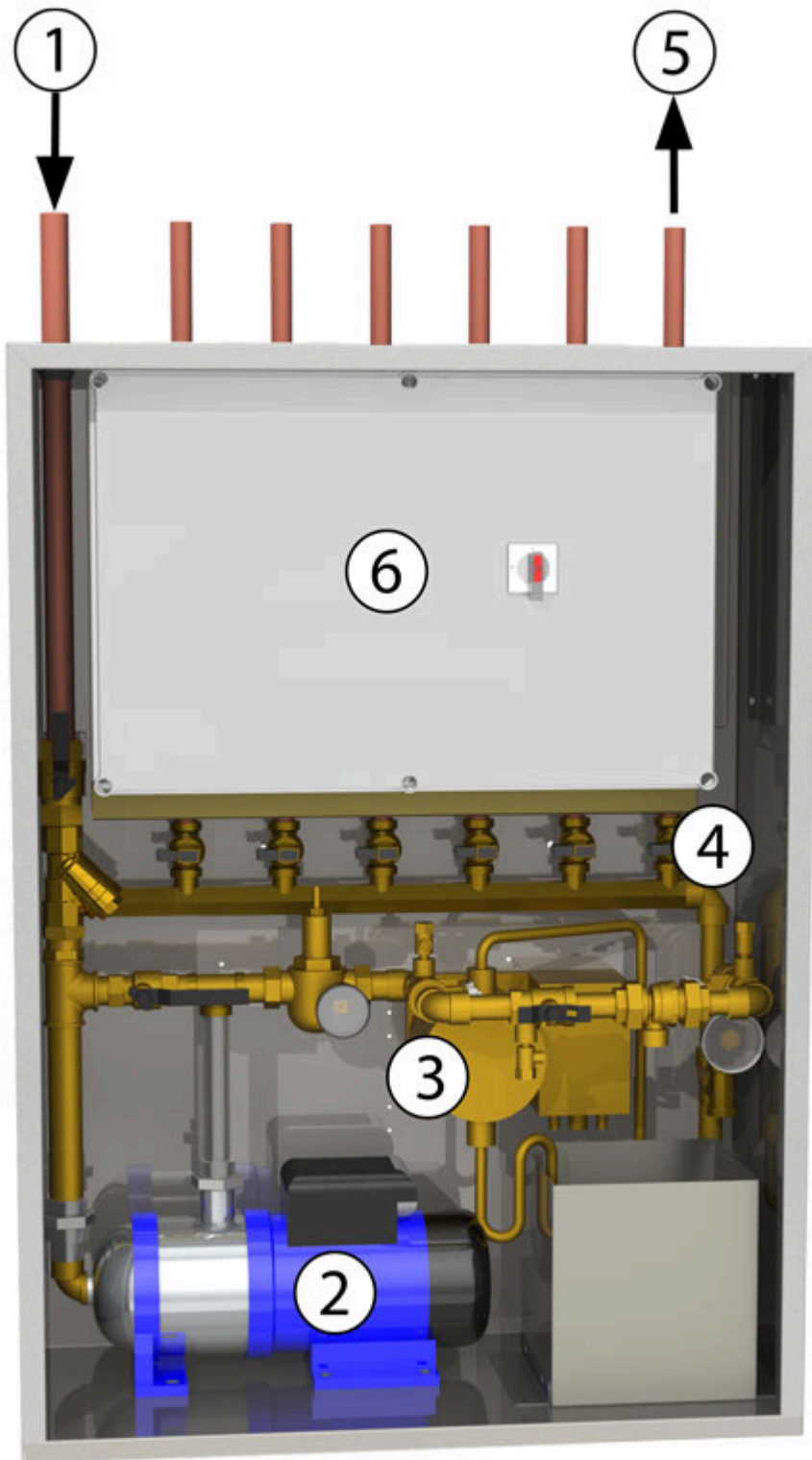
*) Thickness 1,25 mm

Product options

- Stainless steel EN 1.4404 (AISI316L)
- Operating frequency of 50 Hz or 60 Hz
- UV-light technology control system
- Fan control switch (ON/OFF)

Function

1. Supply water enters the water wash cabinet
2. A booster pump is used if higher water pressure is needed
3. Detergent pump adds detergent to the water
4. Electromagnetic valves control the mixture of detergent and water to the hoods
5. Maximum of 7 water outlets are included in each cabinet, capable to wash up to 5 meters of filter length per outlet.
6. PLC based control system for controlling each function



Supply connection requirements

Water supply:

MIN TEMP. 50°C

MAX TEMP. 60°C

Power supply:

230VAC 50/60Hz 10A service

Connection to ship system

Connections to ship systems

